

0CNP3-M53600EN

SPECIFICATIONS

MODEL		YBE245B YBE245L		YBE265B YBE265L		YBE355B	YBE405B	YBE455B	YBE355RL	YBE405RL	YBE455RL
Engine	Type	Air cooled two cycle gasoline engine						Air cooled two cycle gasoline engine			
	Displacement (cc)	23.9		25.4		34.4	40.6	44.8	34.4	40.6	44.8
	Max. Output(ps/kW/rpm)	1.07/0.8/8000		1.22/0.9/7500		1.47/1.1/7500	2.14/1.6/7500	2.40/1.8/7500	1.2/7500	1.6/7500	1.8/7500
	FO. Tank cap. (ℓ)	0.45		0.65			0.9		0.65	1.30	1.30
	Fuel	Mixing regular gasoline(Gasoline:25 - 30/oil:1)						Mixing regular gasoline(Gasoline:25 - 30/oil:1)			
	Driving system	Automatic centrifugal clutch						Automatic centrifugal clutch			
	Ignition system	Flywheel magneto(Transister)						Flywheel magneto(Transister)			
	Carburetor	All position diaphragm carburetor						All position diaphragm		Float	
	Starting system	Recoil starter						Recoil starter			
Net Weight w/o Blade (kg)		5.6	5.2	5.6	5.2	7.1	8.0		9.1	9.8	9.8
Dimensions	L (mm)	1791		1770		1817	1850		2495		
	W (mm)	580	337	580	337	580	590		280		
	H (mm)	490	250	490	250	490	490		460		
Drive Shaft		Solid						Flexible shaft and Solid shaft			
Anti Vibration system		YES						YES			
Standard Blade		B: 4 teeth ϕ 230 L: Nylon line head				4 teeth ϕ 255			4 teeth ϕ 255		

B:Bike - handle L:Loop - handle RL:Knapsack type w/Loop handle

Note:All data subject to alteration without notice.

SPECIFICATIONS

Model	YBE575B
Type	Air cooled two cycle gasoline engine
Displacement [cm ³ (cc)]	56.5
Maximum output [kW(PS)/rpm]	2.20(2.99)/7500
Carburetor	All position diaphragm carburetor
Ignition system	Flywheel magneto (Transistor)
Starting system	Recoil starter
Driving system	Automatic centrifugal clutch
Fuel	Mixing regular gasoline and oil (Gasoline 25~30 : Oil 1)
Fuel tank capacity (ℓ)	1.00
Drive shaft	Solid
Dimensions(L × W × H) (mm/Bike)	1850 × 590 × 490
Dry weight(without cutter) (with shoulder band) (kg)	8.2/Bike —

Contents

Fig. No. Fig. Name

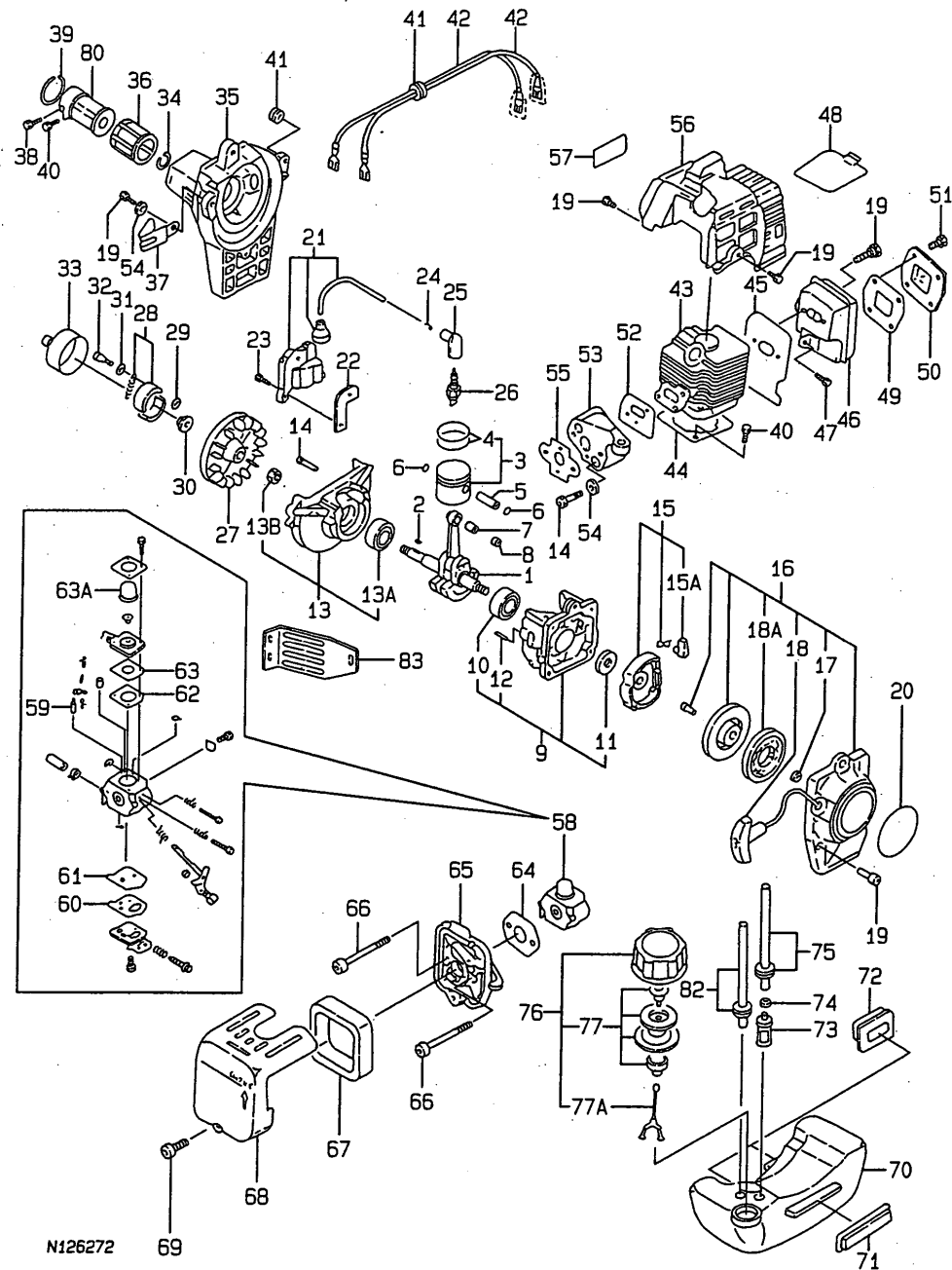
YBE245		YBE405RL/455RL	
1. ENGINE UNIT (YBE245)		13. ENGINE UNIT (YBE405RL/455RL)	
2. BRUSH CUTER (YBE245)		14. BRUSH CUTER (YBE405RL/455RL)	
YBE265		YBE575B	
3. ENGINE UNIT (YBE265)		15. ENGINE UNIT (YBE575B)	
4. BRUSH CUTER (YBE265)		16. BRUSH CUTER (YBE575B)	
YBE355			
5. ENGINE UNIT (YBE355)			
6. BRUSH CUTER (YBE355)			
YBE355RL			
7. ENGINE UNIT (YBE355RL)			
8. BRUSH CUTER (YBE355RL)			
YBE405B			
9. ENGINE UNIT (YBE405B)			
10. BRUSH CUTER (YBE405B)			
YBE455B			
11. ENGINE UNIT (YBE455B)			
12. BRUSH CUTER (YBE455B)			

Fig.1. ENGINE UNIT (YBE245)

(A)=YBE245B
(B)=YBE245L
(C)=

(D)=
(E)=
(F)=

1. ENGINE UNIT (YBE245)

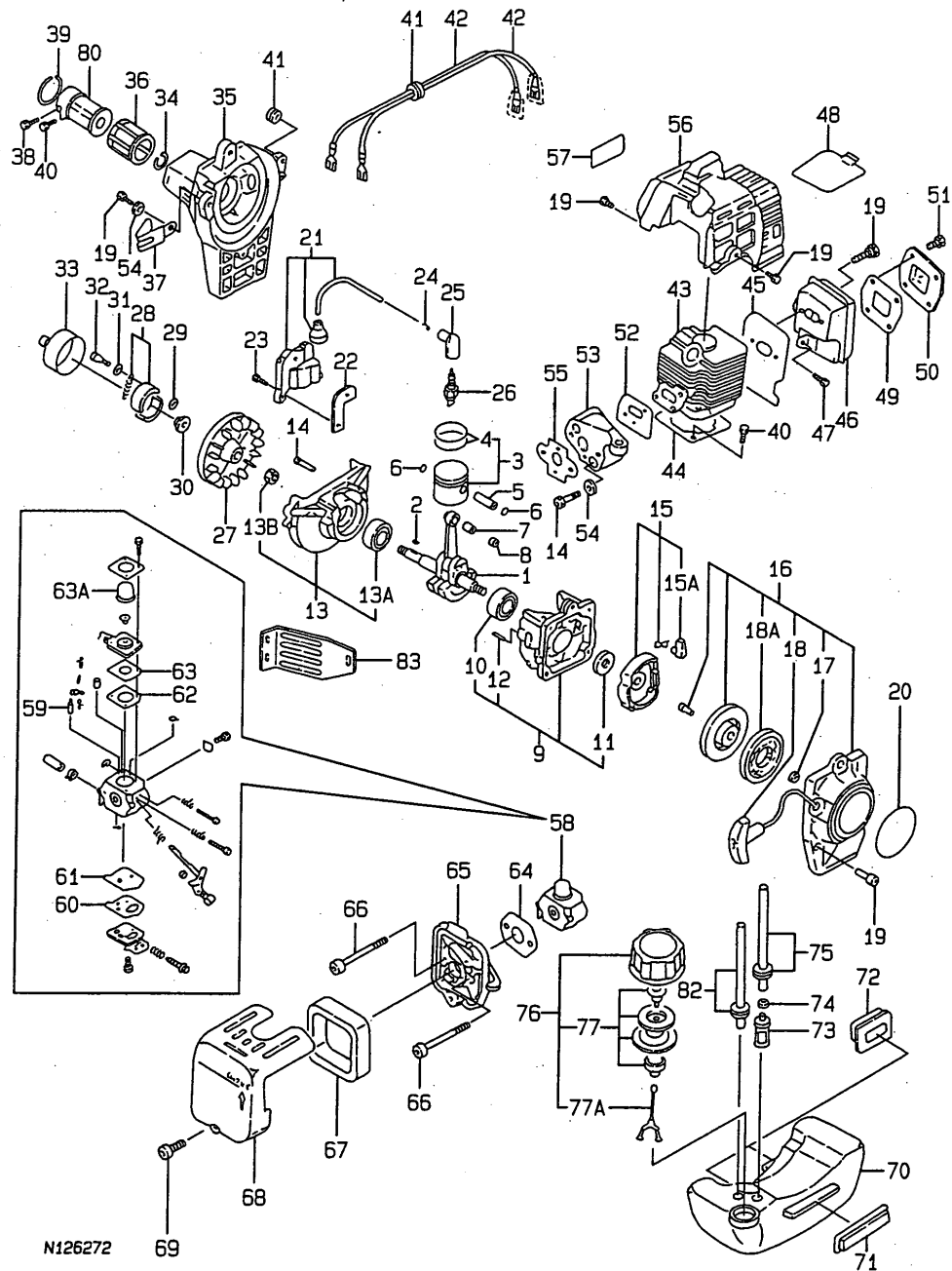


No.	Lev.	Parts No.	Description	Q'ty						I	R
				(A)	(B)	(C)	(D)	(E)	(F)		
1	1	1W1152-53430	CRANKSHAFT	1	1						
2	1	1W0343-09031	KEY	1	1						
3	1	1W1150-13090	PISTON ASS'Y	1	1						
4	2	1W1151-13650	RING,PISTON	2	2						
5	1	1W1153-23040	PIN,PISTON	1	1						
6	1	1W1983-43210	CLIP,PISTON PIN	2	2						
7	1	1W0427-09008	NEEDLE BEARING	1	1						
8	1	1W1992-63171	WASHER,THRUST	2	2						
9	1	1W1100-35101	CRANKCASE ASS'Y	1	1						
10	2	24101-062014	BEARING, BALL 6201	1	1						
11	2	1W0502-09070	OIL SEAL	1	1						
12	2	1W0305-00512	DOWEL PIN	2	2						
13	1	1W1100-35111	CRANKCASE ASS'Y	1	1						
13A	2	24101-062014	BEARING, BALL 6201	1	1						
13B	2	1W0502-09070	OIL SEAL	1	1						
14	1	1W0107-09010	BOLT;M5X25	5	5						
15	1	1W1553-53090	PULLEY,STARTER	1	1						
15A	2	1W1551-63110	RATCHET	1	1						
16	1	1W1551-03461	RECOIL ASS'Y	1	1						
17	2	1W1552-13050	ROPE,STARTER	1	1						
18	2	1W1552-23061	KNOB,STARTER	1	1						
18A	2	1W1552-63270	SPRING,SPIRAL	1	1						
19	1	1W0107-09008	BOLT;M5X16	9	9						
20	1	1W1902-83910	NAME PLATE	1	1						
21	1	1W1500-53291	COIL ASS'Y,IGNITION	1	1						
22	1	1W1995-13451	INSULATOR	1	1						
23	1	1W0107-09018	BOLT;M4X20	2	2						
24	1	1W1982-13300	SPRING	1	1						
25	1	1W1504-13033	CAP,PLUG	1	1						
26	1	1W1502-65091	PLUG,SPARK	1	1						
27	1	1W1501-03470	FLYWHEEL,MAGNETO	1	1						
28	1	1W1700-33220	CLUTCH ASS'Y	1	1						
29	1	1W1992-13150	SPACER	2	2						
30	1	1W0201-09107	NUT	1	1						
31	1	1W1992-13221	SPACER	2	2						
32	1	1W1994-33071	BOLT	2	2						
33	1	1W1703-33190	DLUM,CLUTCH	1	1						
34	1	22242-000120	RING, 12	1	1						
35	1	1W1751-03370	HOUSING,BLOWER	1	1						
36	1	1W1981-13580	RUBBER	1	1						
37	1	1W1991-13060	CLAMP	1	1						
38	1	1W0107-09033	BOLT;5X12	1	1						
39	1	1W1983-43230	CLIP	1	1						
40	1	1W0107-09009	BOLT;M5X20	3	3						
41	1	1W2981-11010	GROMMET	2	2						
42	1	1W1856-03280	HARNES,WIRE	2	2						
43	1	1W1102-13522	CYLINDER	1	1						
44	1	1W1109-93380	GASKET	1	1						
45	1	1W1359-93811	GASKET	1	1						
46	1	1W1354-03450	MUFFLER	1	1						
47	1	1W0107-09006	BOLT;M5X12	1	1						

N126272

Fig.1. ENGINE UNIT (YBE245)

1. ENGINE UNIT (YBE245)



N126272

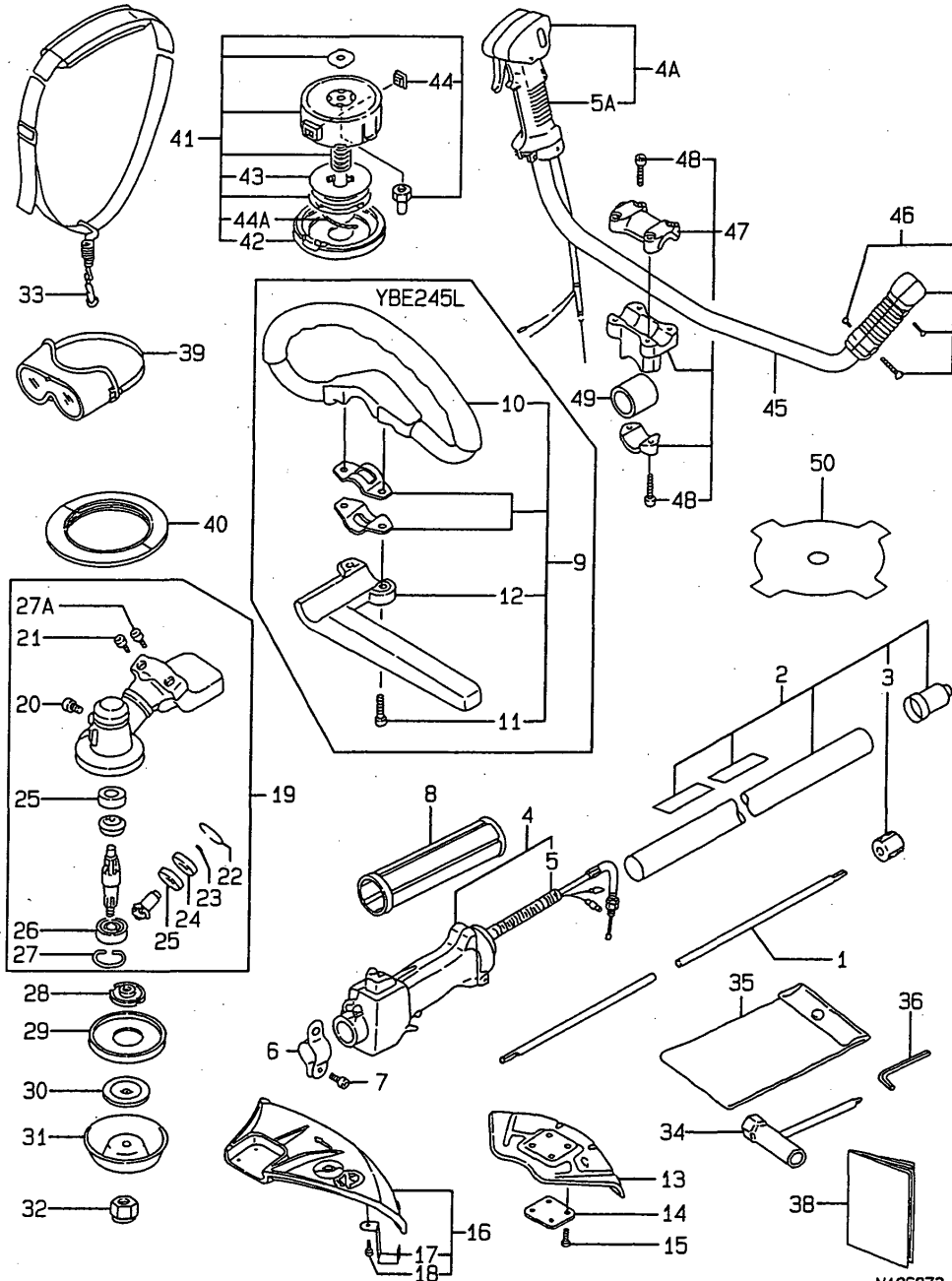
(A)=YBE245B
(B)=YBE245L
(C)=

(D)=
(E)=
(F)=

No.	Lev.	Parts No.	Description	Q'ty						I	R
				(A)	(B)	(C)	(D)	(E)	(F)		
48	1	1W1354-33490	PLATE,BAFFLE	1	1						
49	1	1W1359-93772	GASKET	1	1						
50	1	1W1354-13670	SHELL	1	1						
51	1	1W0107-09014	BOLT;M4X16	4	4						
52	1	1W1359-93451	GASKET	1	1						
53	1	1W1995-13470	INSULATOR	1	1						
54	1	22137-050000	WASHER, 5	3	3						
55	1	1W1359-93242	GASKET	1	1						
56	1	1W1751-53500	COWLING	1	1						
57	1	1W1903-33250	MARK,TRADE	1	1						
58	1	1W1301-04000	CARBURETOR ASS'Y	1	1						
59	2	1W1301-53170	VALVE,FLOAT	1	1						
60	2	1W1305-13350	GASKET	1	1						
61	2	1W1305-13360	DIAPHRAGM,PUMP	1	1						
62	2	1W1301-23250	GASKET,DIAPHRAGM	1	1						
63	2	1W1302-83135	DIAPHRAGM,METERING	1	1						
63A	2	1W1305-13383	RUBBER	1	1						
64	1	1W1359-93430	GASKET	1	1						
65	1	1W1357-13300	CASE COMPL	1	1						
66	1	1W0107-09016	BOLT;M5X48	2	2						
67	1	1W1352-63290	ELEMENT	1	1						
68	1	1W1357-13410	CASE,CAP	1	1						
69	1	1W0107-09015	BOLT;M4X12	1	1						
70	1	1W1601-13240	TANK,FUEL	1	1						
71	1	1W1981-13740	RUBBER	1	1						
72	1	1W1981-13620	RUBBER	2	2						
73	1	1W1303-03290	FILTER,FUEL	1	1						
74	1	1W1983-43181	CLIP	1	1						
75	1	1W1309-83050	PIPE ASS'Y	1	1						
76	1	1W1600-33220	CAP ASS'Y,FUEL TANK	1	1						
77	2	1W1600-43092	VALVE ASS'Y,REVERSIN	1	1						
77A	2	1W1601-73030	HANGER	1	1						
80	1	1W1659-83070	PIPE	1	1						
82	1	1W1981-63110	HOSE	1	1						
83	1	1W1753-13180	GUARD,FAN	1	1						

Fig.2. BRUSH CUTER (YBE245)

2. BRUSH CUTER (YBE245)



N126273

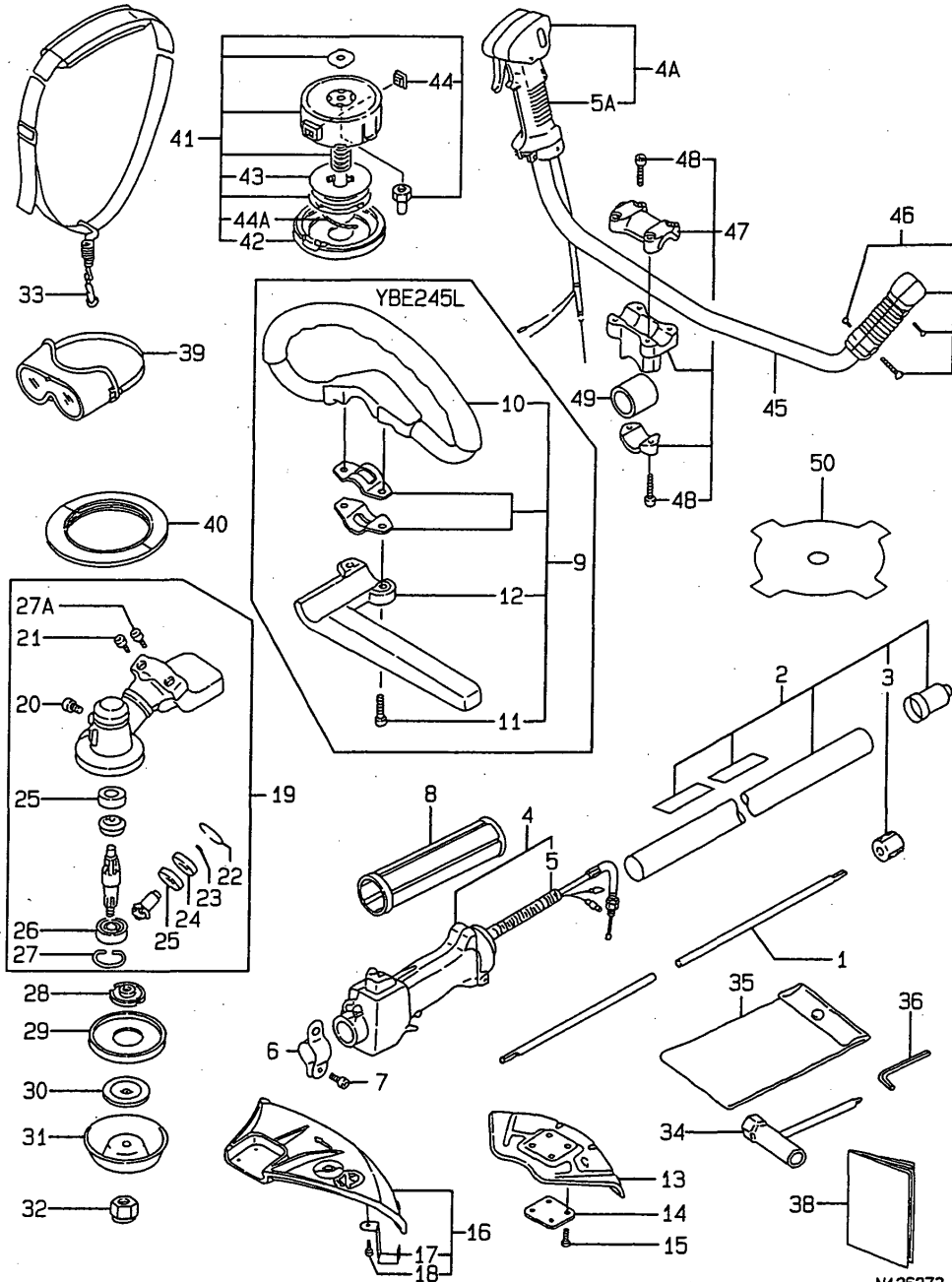
(A)=YBE245B
(B)=YBE245L
(C)=

(D)=
(E)=
(F)=

No.	Lev.	Parts No.	Description	Q'ty						I	R
				(A)	(B)	(C)	(D)	(E)	(F)		
1	1	1W7201-13160	SHAFT,DRIVE	1	1						
2	1	1W7201-24370	PIPE COMPL	1	1						
3	2	1W7201-33160	METAL	6	6						
4	1	1W1250-33820	LEVER ASS'Y,THROTTLE		1						
4A	1	1W1250-33990	LEVER ASS'Y,THROTTLE	1							
5	2	1W1255-04500	WIRE,THROTTLE		1						
5A	2	1W1255-04470	WIRE,THROTTLE	1							
6	1	1W7202-03082	HANGER COMPL	1	1						
7	1	1W7209-73178	BOLT;M6X14	1	1						
8	1	1W7207-23240	COLLAR	1	1						
9	1	1W7200-53730	HANDLE ASS'Y		1						
10	2	1W7206-13320	HANDLE		1						
11	2	1W7209-73183	BOLT;M6X18		2						
12	2	1W7202-43030	BAR,HANDLE		1						
13	1	1W7204-63400	DEFLECTOR	1	1						
14	1	1W7204-73180	PLATE	1	1						
15	1	1W0107-09009	BOLT;M5X20	4	4						
16	1	1W7200-43500	DEFLECTOR ASS'Y	1	1						
17	2	1W7204-93050	CUTTER	1	1						
18	2	1W0107-09008	BOLT;M5X16	1	1						
19	1	1W7200-23990	CASE ASS'Y,GEAR	1	1						
20	2	1W7209-73663	BOLT;M6X8	1	1						
21	2	1W7209-73175	BOLT;M5X10	1	1						
22	2	22252-000240	RING, 24	1	1						
23	2	1W0361-00009	SNAP RING;S-9	1	1						
24	2	1W7209-73161	BALL BEARING;609ZZ	1	1						
25	2	1W7209-73159	BALL BEARING;609	2	2						
26	2	24104-060014	BEARING, BALL 6001UU	1	1						
27	2	22252-000280	RING, 28	1	1						
27A	2	1W0107-09009	BOLT;M5X20	2	2						
28	1	1W7203-33630	HOLDER	1	1						
29	1	1W7203-43670	COVER(B)	1	1						
30	1	1W7203-33610	HOLDER	1	1						
31	1	1W7203-43780	COVER,NUT	1	1						
32	1	1W7209-73715	NUT	1	1						
33	1	1W7208-53470	BAND COMPL,SHOULDER	1	1						
34	1	1W7209-83371	SPANNER,BOX	1	1						
35	1	1W7209-83420	BAG,TOOL	1	1						
36	1	28150-040000	WRENCH, BAR 4	1	1						
38	1	1W1008-14090	INSTRUCTION MANUAL	1	1						
39	1	1W1956-33000	GOGGLE	1	1						
40	1	1W7209-13052	COVER,BLADE	1	1						
41	1	1W7200-33200	TRIMMER,NYLON LINE		1						
42	2	1W7203-43770	COVER		1						
43	2	1W7203-93050	REEL		1						
44	2	1W7209-73714	EYELET		2						
44A	2	1W7209-73208	CORD,NYLON		1						
45	1	1W7206-13370	HANDLE		1						
46	1	1W4706-23520	GRIP ASS'Y		1						
47	1	1W7200-63260	HOLDER ASS'Y,HANDLE		1						
48	2	1W7209-73184	BOLT;M6X26		6						

Fig.2. BRUSH CUTER (YBE245)

2. BRUSH CUTER (YBE245)



N126273

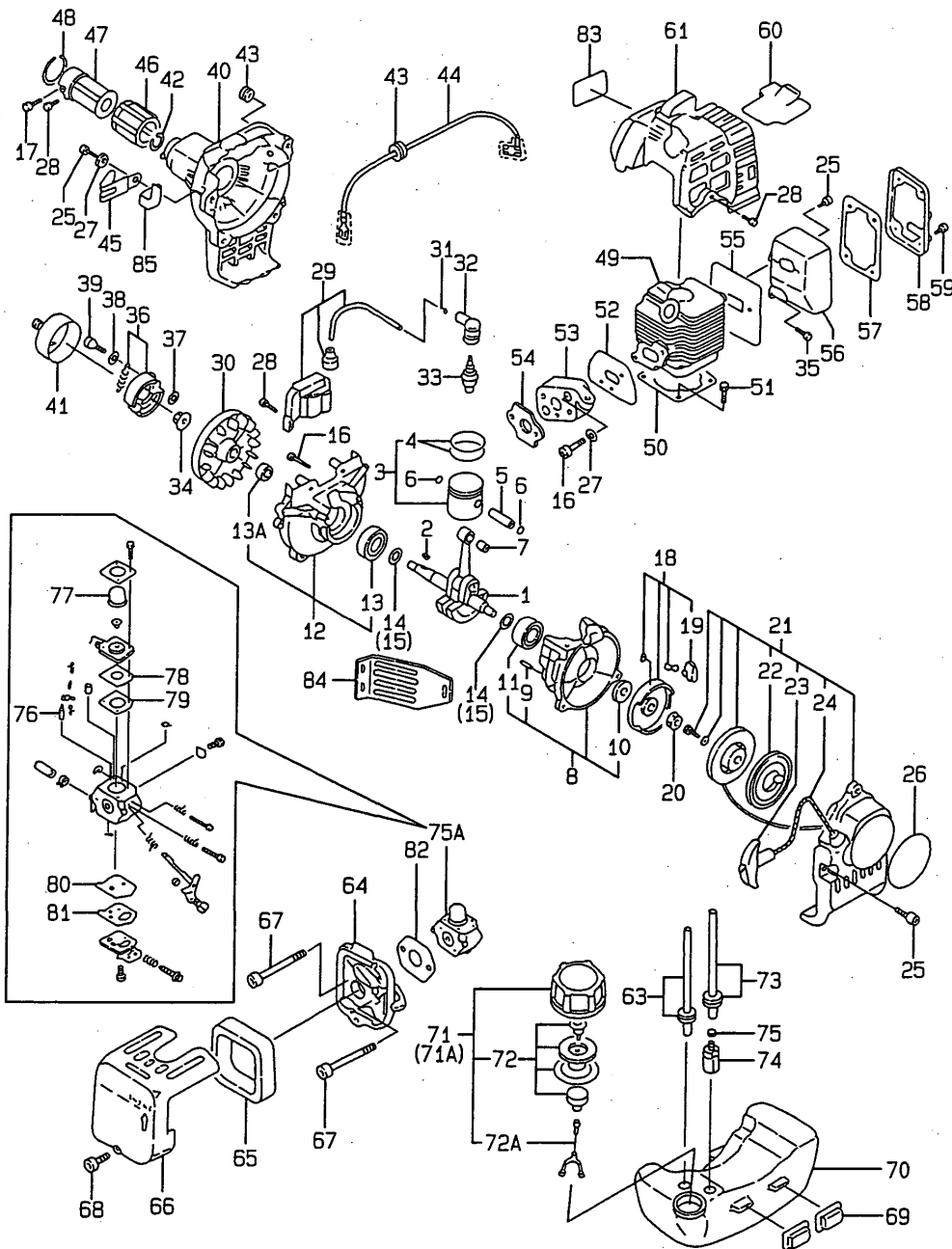
(A)=YBE245B
(B)=YBE245L
(C)=

(D)=
(E)=
(F)=

No.	Lev.	Parts No.	Description	Q'ty						I	R
				(A)	(B)	(C)	(D)	(E)	(F)		
49	1	1W7209-73147	COLLAR	1							
50	1	1W1958-33140	BLADE,4T9'	1							

Fig.3. ENGINE UNIT (YBE265)

3. ENGINE UNIT (YBE265)



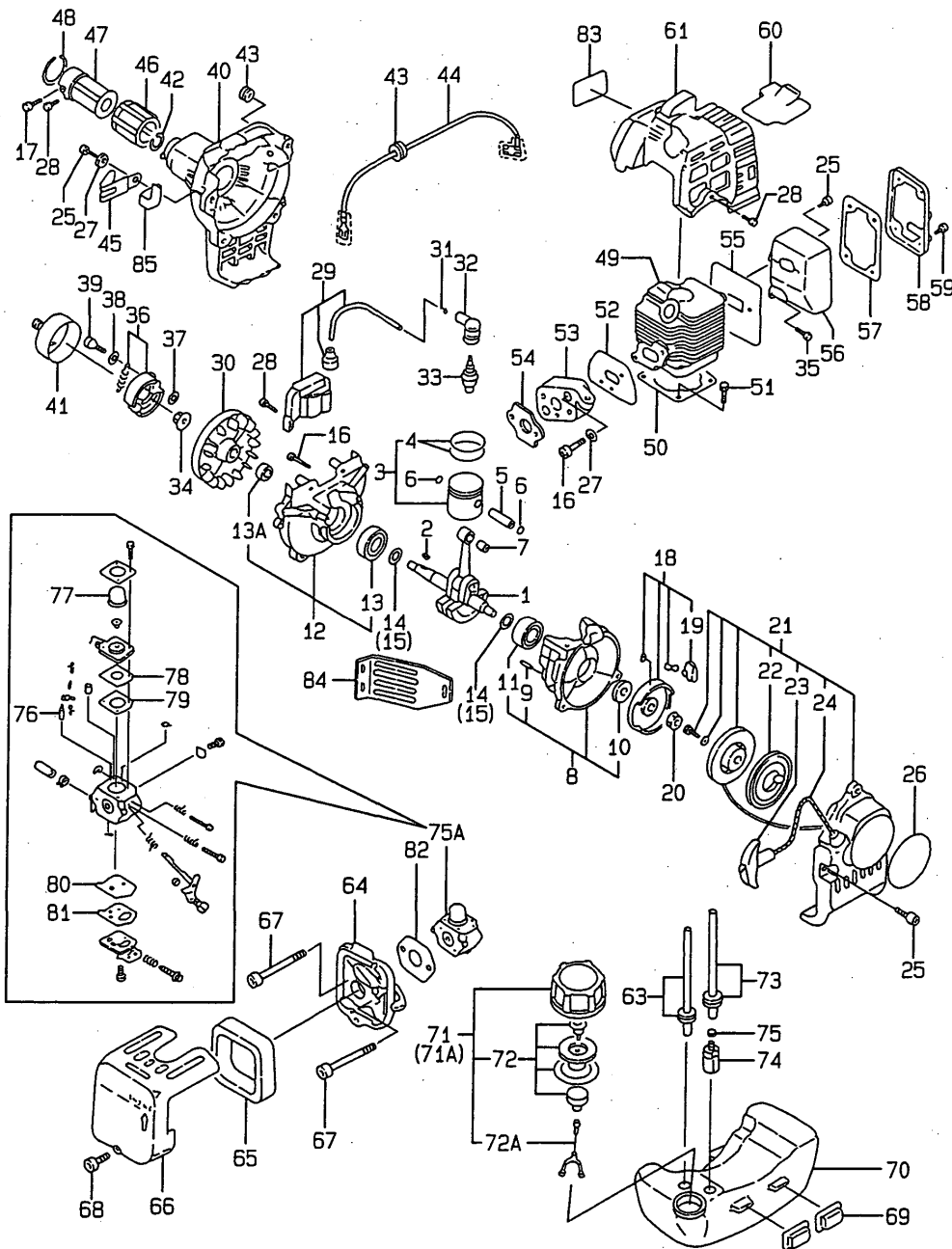
(A)=YBE265B(CE)
 (B)=YBE265L(CE)
 (C)=YBE265B(BR)

(D)=
 (E)=
 (F)=

No.	Lev.	Parts No.	Description	Qty						I	R
				(A)	(B)	(C)	(D)	(E)	(F)		
1	1	1W1152-53390	CRANKSHAFT	1	1	1					
2	1	1W0343-09031	KEY	1	1	1					
3	1	1W1150-13100	PISTON ASS'Y	1	1	1					
4	2	1W1151-15680	RING,PISTON	2	2	2					
5	1	1W1153-23130	PIN,PISTON	1	1	1					
6	1	1W1983-43210	CLIP,PISTON PIN	2	2	2					
7	1	1W0427-09007	NEEDLE BEARING	1	1	1					
8	1	1W1100-35072	CRANKCASE ASS'Y	1	1	1					
9	2	1W0305-00512	DOWEL PIN	2	2	2					
10	2	1W0502-09070	OIL SEAL	1	1	1					
11	2	24101-060004	BEARING, BALL 6000	1	1	1					
12	1	1W1100-35082	CRANKCASE ASS'Y	1	1	1					
13	2	24101-062004	BEARING, BALL 6200	1	1	1					
13A	2	1W0502-09070	OIL SEAL	1	1	1					
14	1	1W1992-83050	SHIM;T0.1	1	1	1					
15	1	1W1992-83060	SHIM;T0.2	1	1	1					
16	1	1W0107-09010	BOLT;M5X25	5	5	5					
17	1	1W0107-09033	BOLT;5X12	1	1	1					
18	1	1W1553-53080	PULLEY,STARTER	1	1	1					
19	2	1W1551-63090	RATCHET	1	1	1					
20	1	26797-080002	NUT, LOCK M8	1	1	1					
21	1	1W1551-03451	RECOIL ASS'Y	1	1	1					
22	2	1W1552-63210	SPRING,SPIRAL	1	1	1					
23	2	1W1552-23050	KNOB,STARTER	1	1	1					
24	2	1W1552-13050	ROPE,STARTER	1	1	1					
25	1	1W0107-09008	BOLT;M5X16	8	8	8					
26	1	1W1902-83920	NAME PLATE	1	1	1					
27	1	22137-050000	WASHER, 5	3	3	3					
28	1	1W0107-09009	BOLT;M5X20	4	4	4					
29	1	1W1500-53251	COIL ASS'Y,IGNITION	1	1	1					
30	1	1W1501-03440	FLYWHEEL,MAGNETO	1	1	1					
31	1	1W1982-13300	SPRING	1	1	1					
32	1	1W1504-13033	CAP,PLUG	1	1	1					
33	1	1W1502-65091	PLUG,SPARK	1	1	1					
34	1	1W0201-09118	NUT	1	1	1					
35	1	1W0107-09006	BOLT;M5X12	1	1	1					
36	1	1W1700-33300	CLUTCH ASS'Y	1	1	1					
37	1	1W1992-13090	SPACER	2	2	2					
38	1	1W1992-13221	SPACER	2	2	2					
39	1	1W1994-33071	BOLT	2	2	2					
40	1	1W1751-03360	HOUSING,BLOWER	1	1	1					
41	1	1W1703-33150	DRUM,CLUTCH	1	1	1					
42	1	22242-000150	RING, 15	1	1	1					
43	1	1W2981-11010	GROMMET	2	2	2					
44	1	1W1856-03050	HARNASS,WIRE	1	1	1					
45	1	1W1991-13060	CLAMP	1	1	1					
46	1	1W1981-13641	RUBBER	1	1	1					
47	1	1W1659-83070	PIPE	1	1	1					
48	1	1W1983-43230	CLIP	1	1	1					
49	1	1W1102-13421	CYLINDER	1	1	1					
50	1	1W1109-93361	GASKET	1	1	1					

Fig.3. ENGINE UNIT (YBE265)

3. ENGINE UNIT (YBE265)



(A)=YBE265B(CE)
 (B)=YBE265L(CE)
 (C)=YBE265B(BR)

(D)=
 (E)=
 (F)=

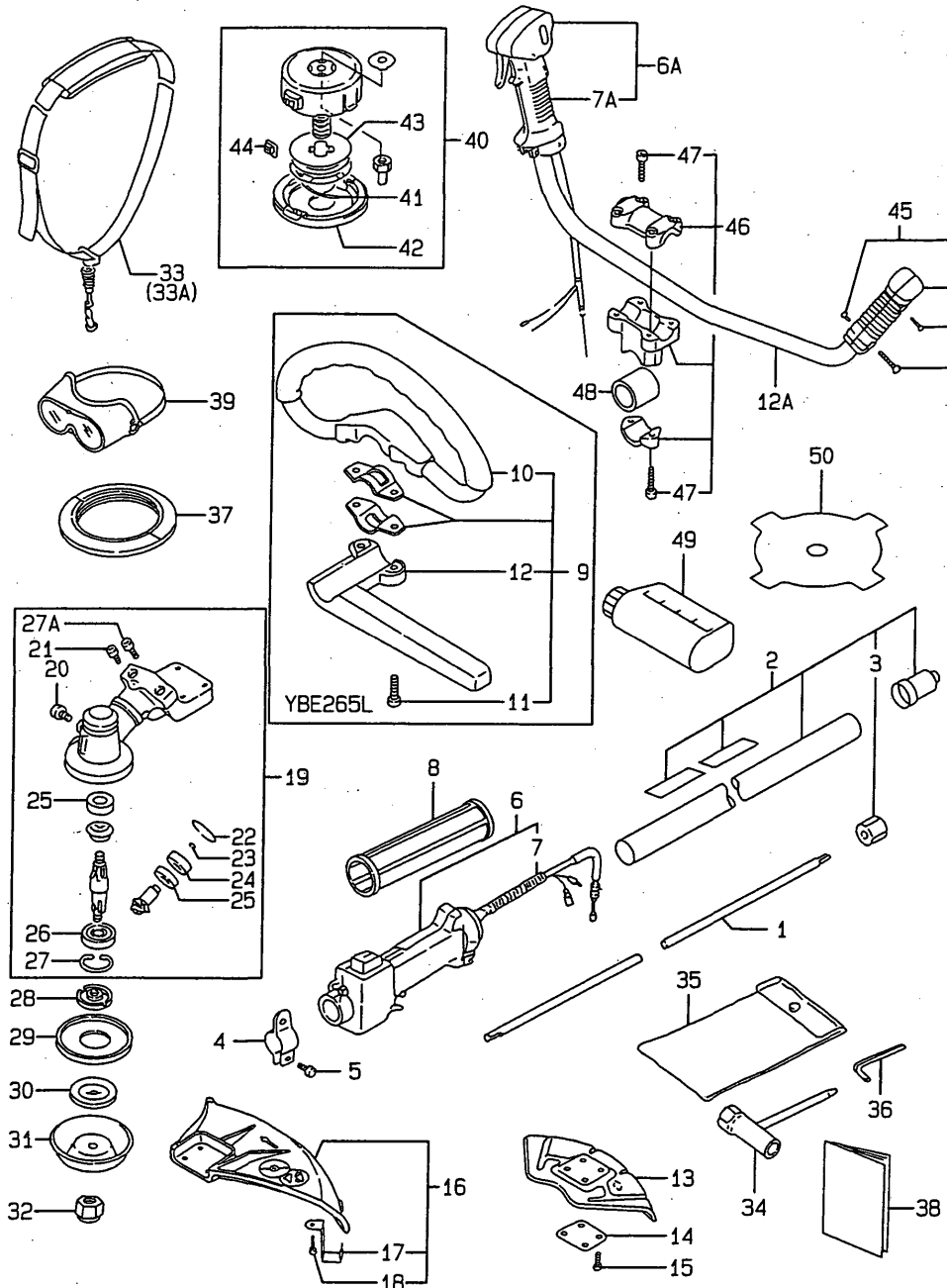
No.	Lev.	Parts No.	Description	Qty						I	R
				(A)	(B)	(C)	(D)	(E)	(F)		
51	1	1W0107-09013	BOLT;M6X20	2	2	2					
52	1	1W1359-93481	GASKET	1	1	1					
53	1	1W1995-13290	INSULATOR	1	1	1					
54	1	1W1359-93242	GASKET	1	1	1					
55	1	1W1359-93692	GASKET	1	1	1					
56	1	1W1354-03420	MUFFLER	1	1	1					
57	1	1W1359-93700	GASKET	1	1	1					
58	1	1W1354-13611	SHELL	1	1	1					
59	1	1W0107-09014	BOLT;M4X16	4	4	4					
60	1	1W1354-33390	PLATE,BAFFLE	1	1	1					
61	1	1W1751-53750	COWLING	1	1	1					
63	1	1W1981-63110	HOSE	1	1	1					
64	1	1W1357-13300	CASE COMPL	1	1	1					
65	1	1W1352-63290	ELEMENT	1	1	1					
66	1	1W1357-13410	CASE,CAP	1	1	1					
67	1	1W0107-09016	BOLT;M5X48	2	2	2					
68	1	1W0107-09015	BOLT;M4X12	1	1	1					
69	1	1W1981-13701	RUBBER	4	4	4					
70	1	1W1601-13211	TANK,FUEL	1	1	1					
71	1	1W1600-33220	CAP ASS'Y,FUEL TANK	1	1						
71A	1	1W1600-33183	CAP.TANK ASSY							1	
72	2	1W1600-43092	VALVE ASS'Y,REVERSIN	1	1	1					
72A	2	1W1601-73030	HANGER	1	1	1					
73	1	1W1309-83050	PIPE ASSY	1	1	1					
74	1	1W1303-03290	FILTER,FUEL	1	1	1					
75	1	1W1983-43181	CLIP	1	1	1					
75A	1	1W1301-04031	CARBURETOR ASS'Y	1	1	1					
76	2	1W1301-53200	VALVE,FLOAT	1	1	1					
77	2	1W1305-13383	RUBBER	1	1	1					
78	2	1W1302-83135	DIAPHRAGM,METERING	1	1	1					
79	2	1W1301-23250	GASKET,DIAPHRAGM	1	1	1					
80	2	1W1305-13360	DIAPHRAGM,PUMP	1	1	1					
81	2	1W1305-13350	GASKET	1	1	1					
82	1	1W1359-93430	GASKET	1	1	1					
83	1	1W1903-33250	MARK,TRADE	1	1	1					
84	1	1W1753-13180	GUARD,FAN	1	1						
85	1	1W1857-13010	PLATE	1	1	1					

Fig.4. BRUSH CUTER (YBE265)

(A)=YBE265B(CE)
 (B)=YBE265L(CE)
 (C)=YBE265B(BR)

(D)=
 (E)=
 (F)=

4. BRUSH CUTER (YBE265)

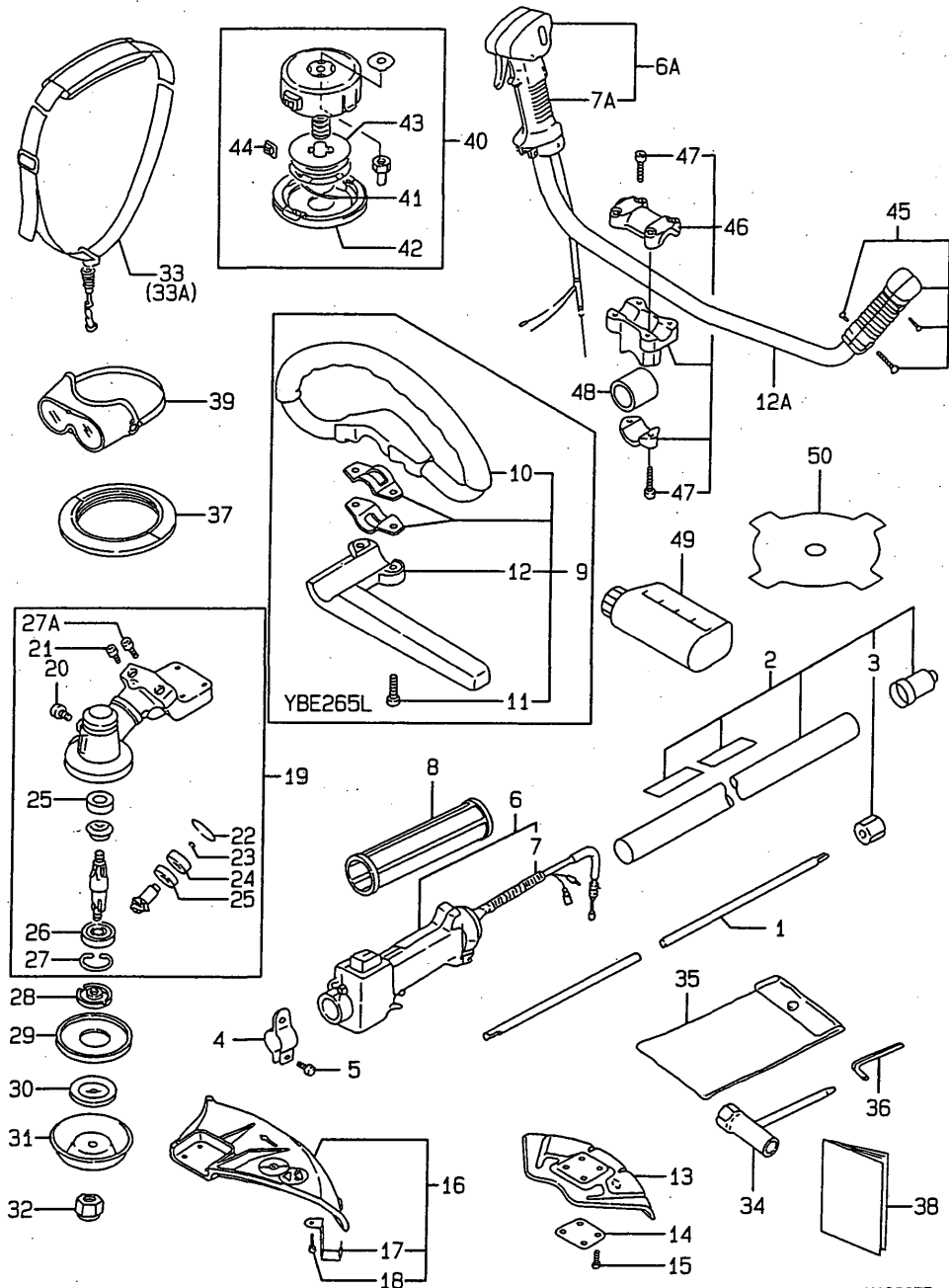


No.	Lev.	Parts No.	Description	Q'ty						I	R
				(A)	(B)	(C)	(D)	(E)	(F)		
1	1	1W7201-13160	SHAFT,DRIVE	1	1	1					
2	1	1W7201-24370	PIPE COMPL	1	1	1					
3	2	1W7201-33160	METAL	6	6	6					
4	1	1W7202-03082	HANGER COMPL	1	1	1					
5	1	1W7209-73178	BOLT;M6X14	1	1	1					
6	1	1W1250-33831	LEVER ASS'Y,THROTTLE		1						
6A	1	1W1250-33960	LEVER ASS'Y,THROTTLE	1		1					
7	2	1W1255-04511	WIRE,THROTTLE		1						
7A	2	1W1255-04530	WIRE,THROTTLE	1		1					
8	1	1W7207-23240	COLLAR	1	1						
9	1	1W7200-53730	HANDLE ASS'Y		1						
10	2	1W7206-13320	HANDLE		1						
11	2	1W7209-73183	BOLT;M6X18		2						
12	2	1W7202-43030	BAR,HANDLE		1						
12A	1	1W7206-13370	HANDLE	1		1					
13	1	1W7204-63400	DEFLECTOR	1	1	1					
14	1	1W7204-73180	PLATE	1	1	1					
15	1	1W0107-09009	BOLT;M5X20	4	4	4					
16	1	1W7200-43500	DEFLECTOR ASS'Y	1	1						
17	2	1W7204-93050	CUTTER	1	1						
18	2	1W0107-09008	BOLT;M5X16	1	1						
19	1	1W7200-23990	CASE ASS'Y,GEAR	1	1	1					
20	2	1W7209-73663	BOLT;M6X8	1	1	1					
21	2	1W7209-73175	BOLT;M5X10	1	1	1					
22	2	22252-000240	RING, 24	1	1	1					
23	2	1W0361-00009	SNAP RING;S-9	1	1	1					
24	2	1W7209-73161	BALL BEARING;609ZZ	1	1	1					
25	2	1W7209-73159	BALL BEARING;609	2	2	2					
26	2	24104-060014	BEARING, BALL 6001UU	1	1	1					
27	2	22252-000280	RING, 28	1	1	1					
27A	2	1W0107-09009	BOLT;M5X20	2	2	2					
28	1	1W7203-33630	HOLDER	1	1	1					
29	1	1W7203-43670	COVER(B)	1	1	1					
30	1	1W7203-33610	HOLDER	1	1	1					
31	1	1W7203-43780	COVER,NUT	1	1	1					
32	1	1W7209-73715	NUT	1	1	1					
33	1	1W7208-53470	BAND COMPL,SHOULDER	1	1						
33A	1	1W7208-53460	BAND COMPL,SHOULDER			1					
34	1	1W7209-83371	SPANNER,BOX	1	1	1					
35	1	1W7209-83420	BAG,TOOL	1	1	1					
36	1	28150-040000	WRENCH, BAR 4	1	1	1					
37	1	1W7209-13052	COVER,BLADE	1	1						
38	1	1W1008-14090	INSTRUCTION MANUAL	1	1						
39	1	1W1956-33000	GOGGLE	1	1	1					
40	1	1W7200-33200	TRIMMER,NYLON LINE		1						
41	2	1W7209-73208	CORD,NYLON		1						
42	2	1W7203-43770	COVER		1						
43	2	1W7203-93050	REEL		1						
44	2	1W7209-73714	EYELET		2						
45	1	1W7206-23520	GRIP ASS'Y	1		1					
46	1	1W7200-63260	HOLDER ASS'Y,HANDLE	1		1					

N126275

Fig.4. BRUSH CUTER (YBE265)

4. BRUSH CUTER (YBE265)



(A)=YBE265B(CE)
 (B)=YBE265L(CE)
 (C)=YBE265B(BR)

(D)=
 (E)=
 (F)=

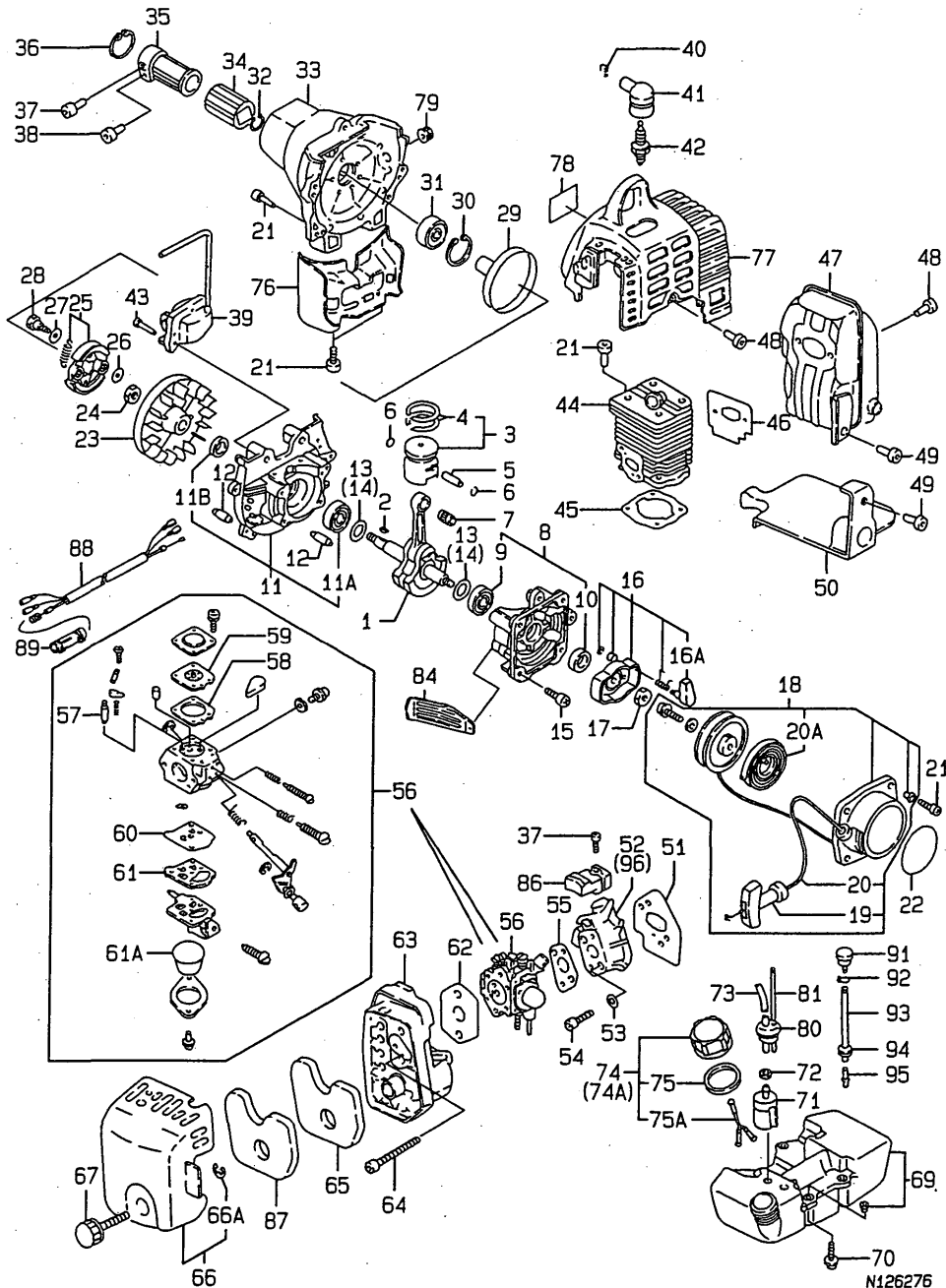
No.	Lev.	Parts No.	Description	Q'ty						I	R
				(A)	(B)	(C)	(D)	(E)	(F)		
47	2	1W7209-73184	BOLT;M6X26	1		1					
48	1	1W7209-73147	COLLAR	1		1					
49	1	1W1952-43010	MIXER ASS'Y	1		1					
50	1	1W1958-33140	BLADE,4T9'	1		1					

Fig.5. ENGINE UNIT (YBE355)

(A)=YBE355B(CE)
 (B)=YBE355L(CE)
 (C)=YBE355B(BR)

(D)=
 (E)=
 (F)=

5. ENGINE UNIT (YBE355)



N126276

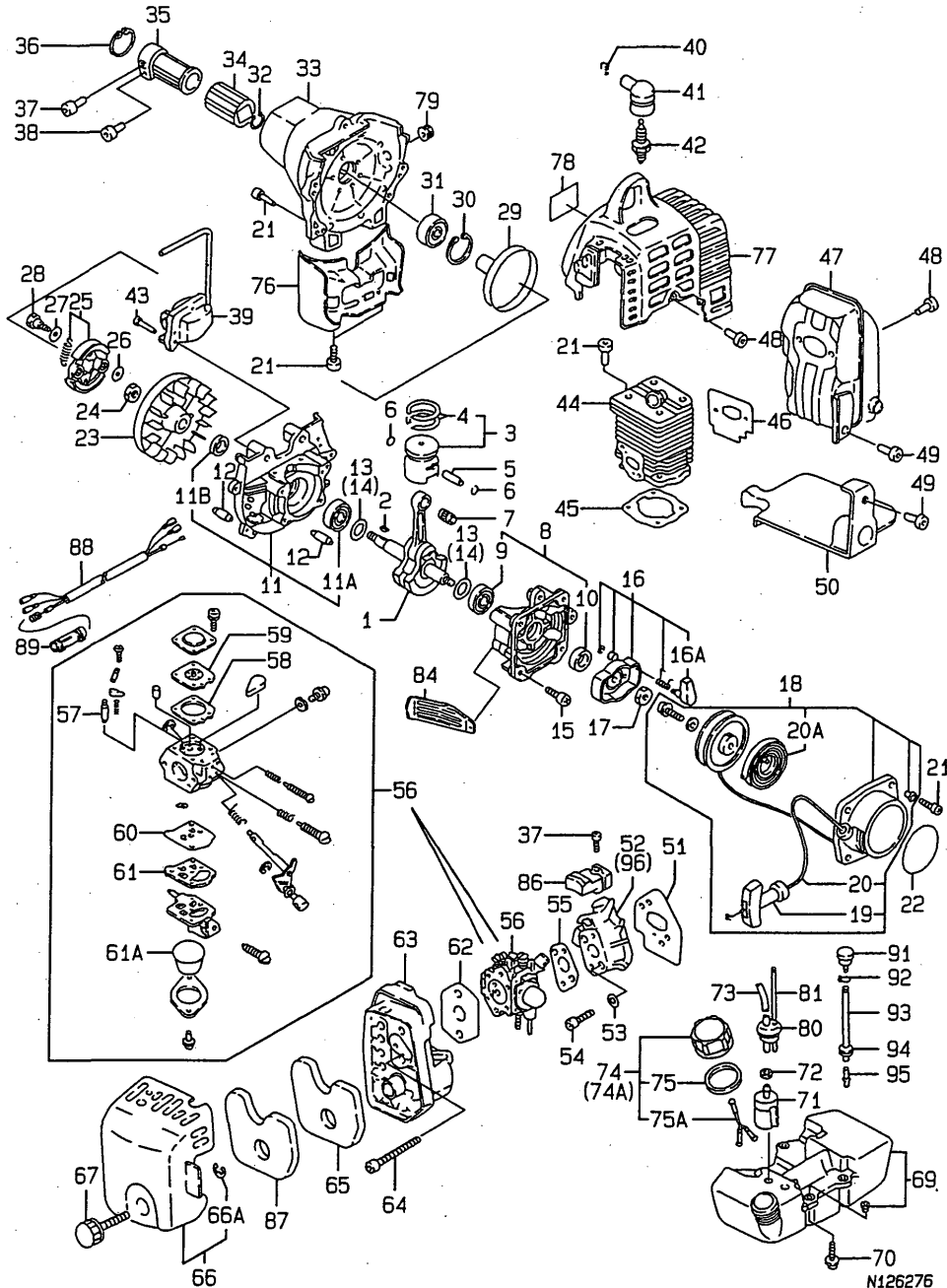
No.	Lev.	Parts No.	Description	Q'ty						I	R
				(A)	(B)	(C)	(D)	(E)	(F)		
1	1	1W1152-53440	CRANKSHAFT	1	1	1					
2	1	1W0343-09031	KEY	1	1	1					
3	1	1W1150-13280	PISTON ASS'Y	1	1	1					
4	2	1W1151-13730	RING,PISTON	2	2	2					
5	1	1W1153-23030	PIN,PISTON	1	1	1					
6	1	1W1983-43040	CLIP,PISTON PIN	2	2	2					
7	1	1W0427-09006	NEEDLE BEARING	1	1	1					
8	1	1W1100-35150	CRANKCASE ASS'Y	1	1	1					
9	2	24101-062014	BEARING, BALL 6201	1	1	1					
10	2	1W0502-09070	OIL SEAL	1	1	1					
11	1	1W1100-35160	CRANKCASE ASS'Y	1	1	1					
11A	2	24101-062014	BEARING, BALL 6201	1	1	1					
11B	2	1W0502-09070	OIL SEAL	1	1	1					
12	1	1W0305-00512	DOWEL PIN	4	4	4					
13	1	1W1992-83030	SHIM;T0.1	1	1	1					
14	1	1W1992-83040	SHIM;T0.2	1	1	1					
15	1	1W0107-09011	BOLT;M5X30	4	4	4					
16	1	1W1553-53060	PULLEY,STARTER	1	1	1					
16A	2	1W1551-63080	RATCHET	1	1	1					
17	1	26797-080002	NUT, LOCK M8	1	1	1					
18	1	1W1551-03341	RECOIL ASS'Y	1	1	1					
19	2	1W1552-23050	KNOB,STARTER	1	1	1					
20	2	1W1552-13090	ROPE,STARTER	1	1	1					
20A	2	1W1552-63210	SPRING,SPIRAL	1	1	1					
21	1	1W0107-09008	BOLT;M5X16	14	14	14					
22	1	1W1902-83930	NAME PLATE	1	1	1					
23	1	1W1501-03351	FLYWHEEL,MAGNETO	1	1	1					
24	1	1W0201-09107	NUT	1	1	1					
25	1	1W1700-33241	CLUTCH ASS'Y	1	1	1					
26	1	1W1992-13071	SPACER	2	2	2					
27	1	1W1992-13180	SPACER	2	2	2					
28	1	1W1994-33082	BOLT	2	2	2					
29	1	1W1703-33140	DRUM,CLUTCH	1	1	1					
30	1	22252-000350	RING, 35	1	1	1					
31	1	24107-062024	BEARING, BALL 6202ZZ	1	1	1					
32	1	22242-000150	RING, 15	1	1	1					
33	1	1W1751-14240	HOUSING,BLOWER	1	1	1					
34	1	1W1981-13810	RUBBER	1	1	1					
35	1	1W1659-83130	PIPE	1	1	1					
36	1	22252-000471	RING, 47	1	1	1					
37	1	1W0107-09015	BOLT;M4X12	2	2	2					
38	1	1W0107-09013	BOLT;M6X20	1	1	1					
39	1	1W1500-53320	COIL ASS'Y,IGNITION	1	1	1					
40	1	1W1982-13300	SPRING	1	1	1					
41	1	1W1504-13033	CAP,PLUG	1	1	1					
42	1	1W1502-65091	PLUG,SPARK	1	1	1					
43	1	1W0107-09009	BOLT;M5X20	2	2	2					
44	1	1W1102-13540	CYLINDER	1	1	1					
45	1	1W1109-93410	GASKET	1	1	1					
46	1	1W1359-93970	GASKET	1	1	1					
47	1	1W1354-03480	MUFFLER	1	1	1					

Fig.5. ENGINE UNIT (YBE355)

(A)=YBE355B(CE)
 (B)=YBE355L(CE)
 (C)=YBE355B(BR)

(D)=
 (E)=
 (F)=

5. ENGINE UNIT (YBE355)

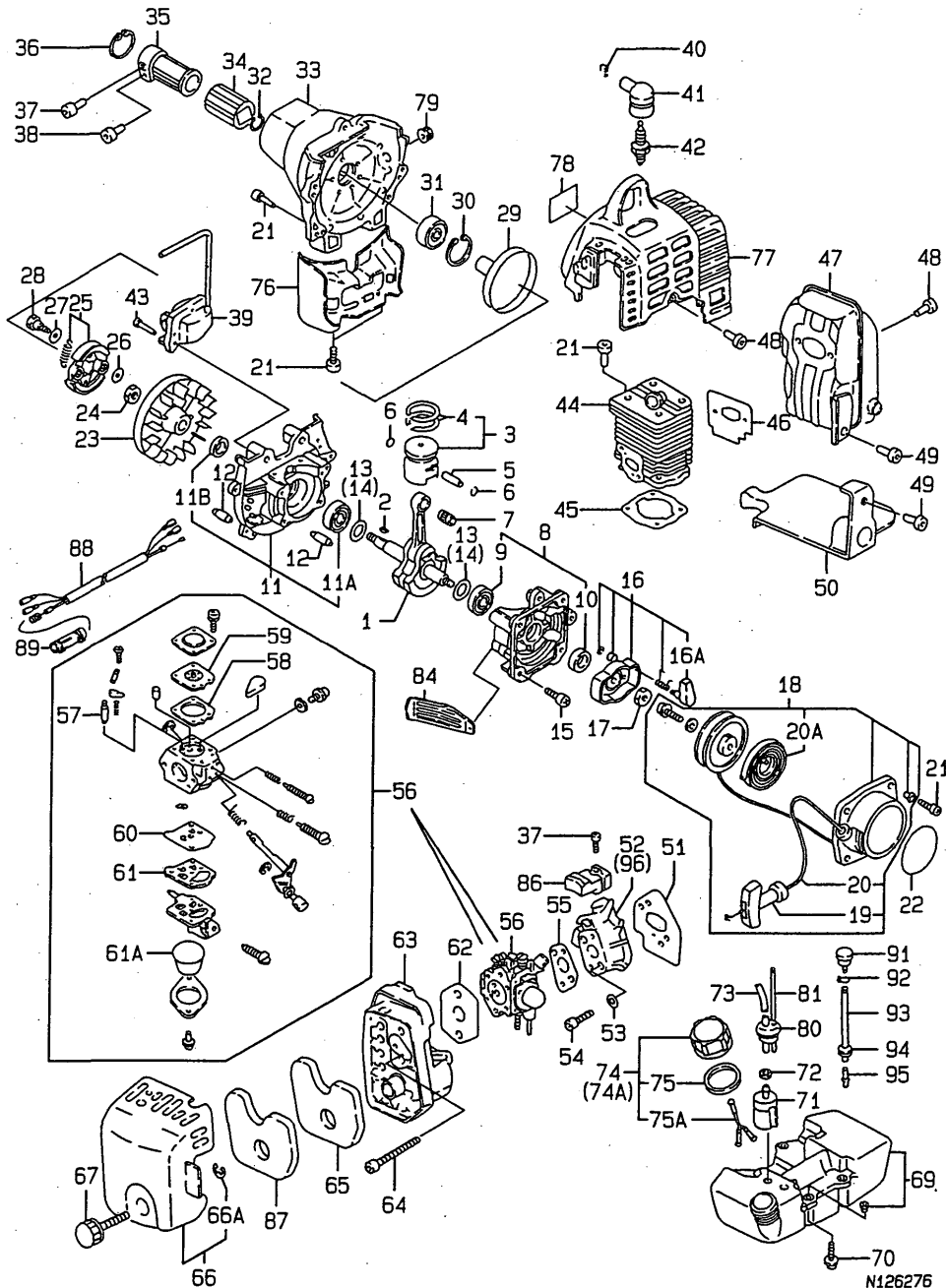


N126276

No.	Lev.	Parts No.	Description	Qty						I	R
				(A)	(B)	(C)	(D)	(E)	(F)		
47-1	1	1W1354-03481	MUFFLER	1	1	1					N
		(A=F002242) (B=F002242) (C=F002242)									
48	1	1W0107-09040	BOLT;M5X58	2	2	2					
49	1	1W0107-09006	BOLT;M5X12	4	4	4					
50	1	1W1354-33560	PLATE,BAFFLE	1	1	1					
51	1	1W1359-93951	GASKET	1	1	1					
52	1	1W1995-13550	INSULATOR	1		1					
53	1	22137-050000	WASHER, 5	2	2	2					
54	1	1W0107-09010	BOLT;M5X25	2	2	2					
55	1	1W1359-93962	GASKET	1	1	1					
56	1	1W1301-04220	CARBURETOR ASS'Y	1	1	1					
56-1	1	1W1301-04221	CARBURETOR ASSY	1	1	1					N
		(A=FXXXXXX) (B=FXXXXXX) (C=FXXXXXX)									
57	2	1W1301-53210	VALVE,FLOAT	1	1	1					
58	2	1W1301-23350	GASKET	1	1	1					
59	2	1W1302-83357	DIAPHRAGM,METERING	1	1	1					
60	2	1W1305-13409	DIAPHRAGM,PUMP	1	1	1					
61	2	1W1305-13410	GASKET	1	1	1					
61A	2	1W1981-13870	RUBBER	1	1	1					
62	1	1W1359-93430	GASKET	1	1	1					
63	1	1W1357-13372	CASE COMPL	1	1	1					
63-1	1	1W1357-13373	CASE COMPL	1	1	1					N
		(A=F002032) (B=F002032) (C=F002032)									
64	1	1W0107-09016	BOLT;M5X48	2	2	2					
65	1	1W1352-63380	ELEMENT	1	1	1					
66	1	1W1357-13392	CASE COMPL,CAP	1	1	1					
66-1	1	1W1357-13393	CASE COMPL,CAP	1	1	1					N
		(A=FXXXXXX) (B=FXXXXXX) (C=FXXXXXX)									
66A	2	22272-000050	RING, E- 5	1	1	1					Z
		(A=FXXXXXX) (B=FXXXXXX) (C=FXXXXXX)									
67	1	1W1994-33090	BOLT	1	1	1					
69	1	1W1601-03250	TANK,FUEL	1	1	1					
70	1	1W0107-09017	BOLT;M5X14	4	4	4					
71	1	1W1303-03290	FILTER,FUEL	1	1	1					
72	1	1W1983-43181	CLIP	1	1	1					
73	1	1W1981-63080	HOSE	1	1	1					
74	1	1W1600-33210	CAP ASS'Y,FUEL TANK	1	1						
74A	1	1W1600-33200	CAP ASS'Y,FUEL TANK								1
75	2	1W1609-93100	GASKET	1	1	1					
75A	2	1W1601-73030	HANGER	1	1	1					
76	1	1W1759-73371	STAY,STAND	1	1	1					
77	1	1W1751-53530	COWLING	1	1	1					
77-1	1	1W1751-53531	COWLING	1	1	1					N
		(A=F002242) (B=F002242) (C=F002242)									
78	1	1W1903-33250	MARK,TRADE	1	1	1					
79	1	1W2981-11010	GROMMET	1	1	1					
80	1	1W1981-13730	RUBBER	1	1	1					
81	1	1W0682-09150	HOSE	1	1	1					
84	1	1W1753-13120	GUARD,FAN	1	1						
86	1	1W1255-43090	ADJUSTER	1	1	1					
87	1	1W1352-63370	ELEMENT(A)	1	1	1					

Fig.5. ENGINE UNIT (YBE355)

5. ENGINE UNIT (YBE355)



N126276

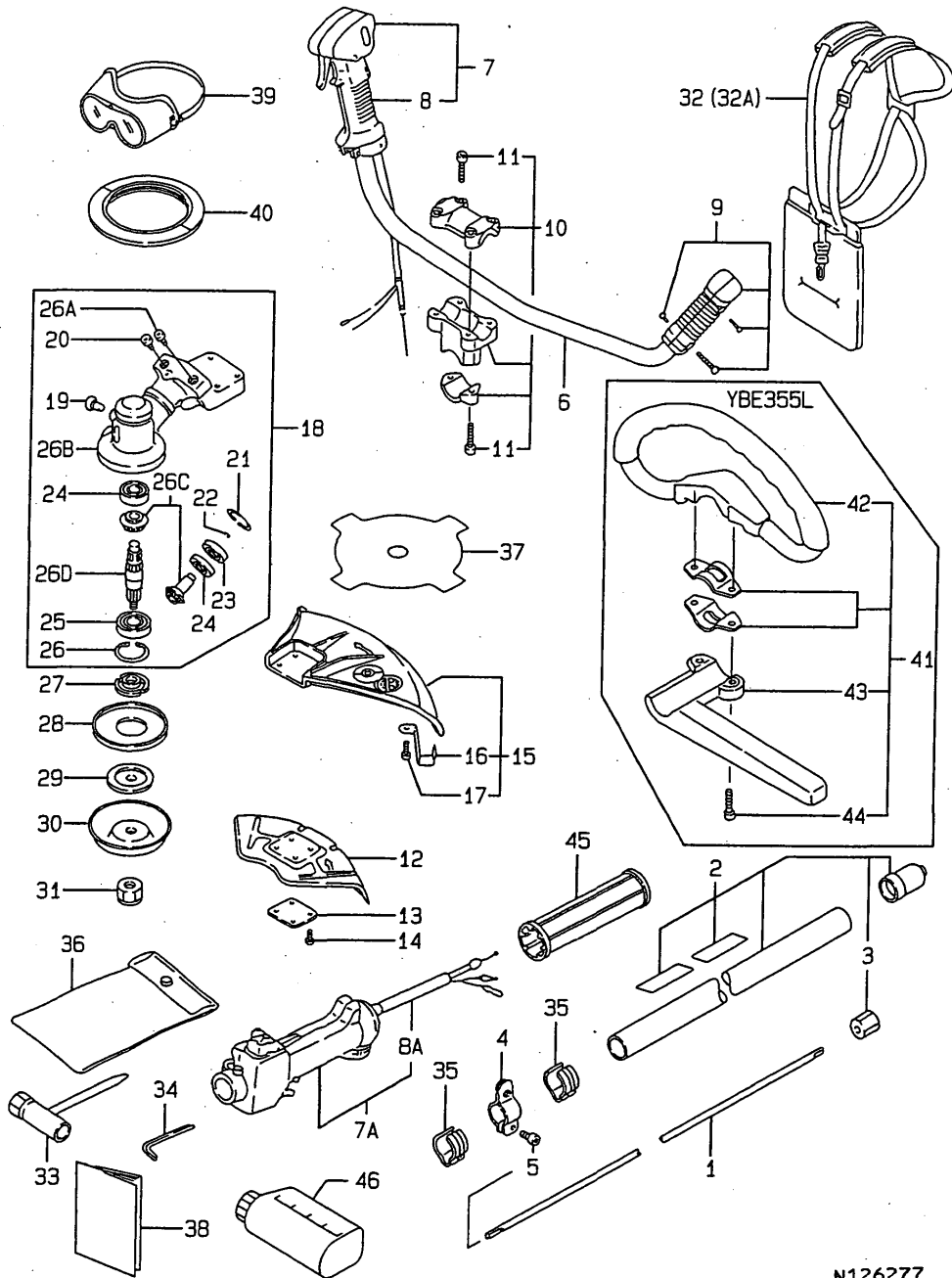
(A)=YBE355B(CE)
 (B)=YBE355L(CE)
 (C)=YBE355B(BR)

(D)=
 (E)=
 (F)=

No.	Lev.	Parts No.	Description	Q'ty						I	R
				(A)	(B)	(C)	(D)	(E)	(F)		
88	1	1W1255-04630	WIRE,THROTTLE	1	1	1					
89	1	1W1256-83060	HOLDER,WIRE	1	1	1					
91	1	1W1600-43120	VALVE ASS'Y,REVERSIN	1	1	1					
92	1	1W1983-43060	CLIP	1	1	1					
93	1	1W0682-09176	HOSE	1	1	1					
94	1	1W1981-13560	RUBBER	1	1	1					
95	1	1W1984-83100	CONNECTOR	1	1	1					
96	1	1W1995-13492	INSULATOR			1					

Fig.6. BRUSH CUTER (YBE355)

6. BRUSH CUTER (YBE355)



N126277

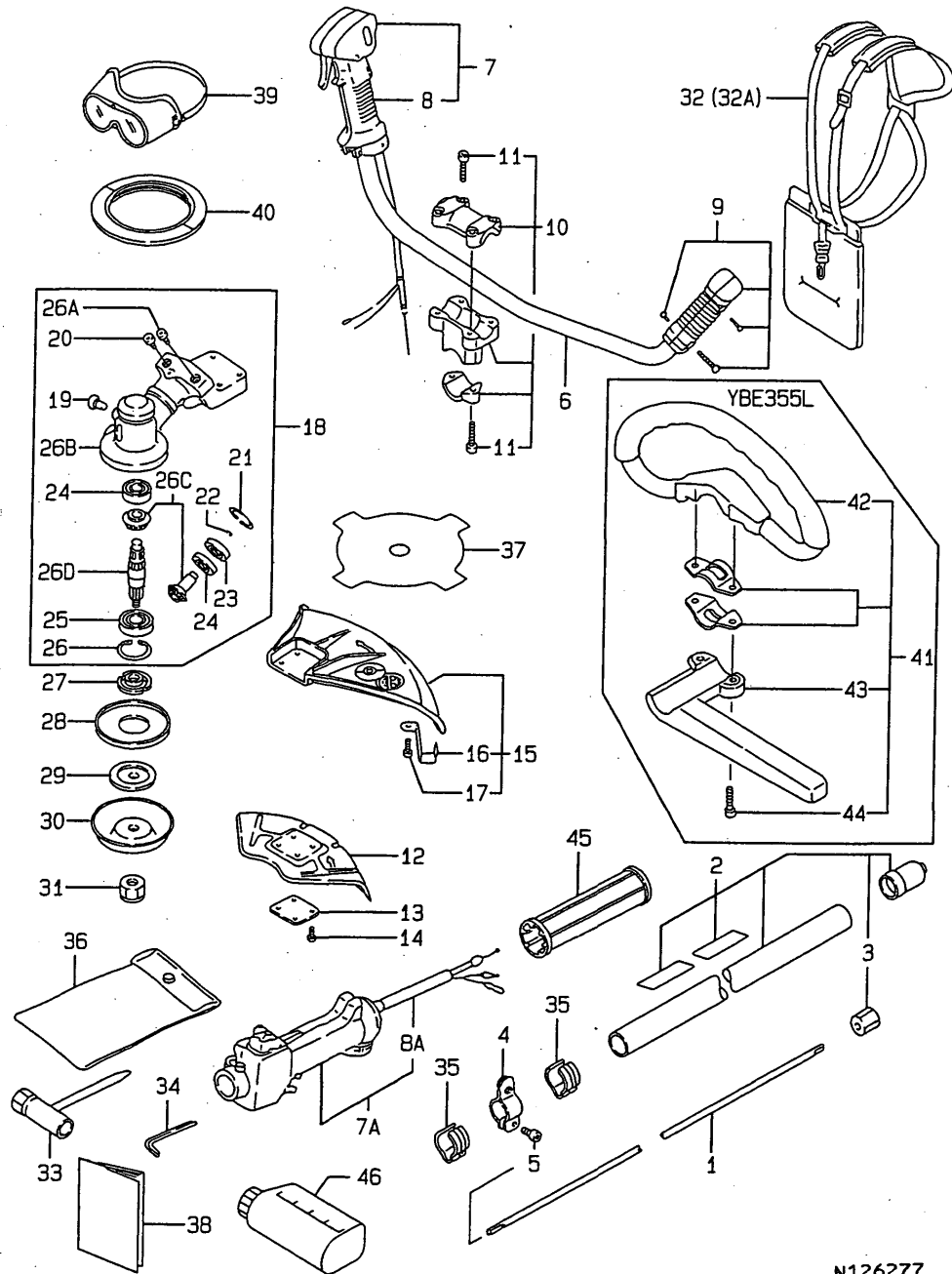
(A)=YBE355B(CE)
(B)=YBE355L(CE)
(C)=YBE355B(BR)

(D)=
(E)=
(F)=

No.	Lev.	Parts No.	Description	Qty						I	R
				(A)	(B)	(C)	(D)	(E)	(F)		
1	1	1W7201-13120	SHAFT,DRIVE	1	1	1					
2	1	1W7201-24390	PIPE COMPL	1	1	1					
3	2	1W7201-33061	METAL	6	6	6					
4	1	1W7202-03073	HANGER COMPL	1	1	1					
5	1	1W7209-73178	BOLT;M6X14	1	1	1					
6	1	1W7206-13370	HANDLE	1	1						
7	1	1W1250-34060	LEVER ASS'Y,THROTTLE	1	1						
7A	1	1W1250-34010	LEVER ASS'Y,THROTTLE		1						
8	2	1W1255-04650	WIRE,THROTTLE	1		1					
8A	2	1W1255-04540	WIRE,THROTTLE		1						
9	1	1W7206-23520	GRIP ASS'Y	1		1					
10	1	1W7200-63260	HOLDER ASS'Y,HANDLE	1		1					
11	2	1W7209-73184	BOLT;M6X26	6		6					
12	1	1W7204-63400	DEFLECTOR	1	1	1					
13	1	1W7204-73180	PLATE	1	1	1					
14	1	1W0107-09009	BOLT;M5X20	4	4						
15	1	1W7200-43500	DEFLECTOR ASS'Y	1	1						
15-1	1	1W7200-43501	DEFLECTOR ASSY	1	1						N
		(A=F001141) (B=F001141)									
16	2	1W7204-93050	CUTTER	1	1						
16-1	2	1W7204-93060	CUTTER	1	1						S
		(A=F001141) (B=F001141)									
17	2	1W0107-09008	BOLT;M5X16	1	1						
18	1	1W7200-23940	CASE ASS'Y,GEAR	1	1	1					
19	2	1W7209-73663	BOLT;M6X8	1	1	1					
20	2	1W7209-73175	BOLT;M5X10	1	1	1					
21	2	22252-000260	RING, 26	1	1	1					
22	2	22242-000100	RING, 10	1	1	1					
23	2	24107-060004	BEARING, BALL 6000ZZ	1	1	1					
24	2	24101-060004	BEARING, BALL 6000	2	2	2					
25	2	24104-060014	BEARING, BALL 6001UU	1	1	1					
26	2	22252-000280	RING, 28	1	1	1					
26A	2	1W0107-09009	BOLT;M5X20	2	2						
26B	2	1W7202-63670	GEAR CASE	1	1	1					W
		(A=FXXXXXX) (B=FXXXXXX) (C=FXXXXXX)									
26C	2	1W7202-73160	GEAR ASSY	1	1	1					W
		(A=FXXXXXX) (B=FXXXXXX) (C=FXXXXXX)									
26D	2	1W7202-93370	GEAR SHAFT	1	1	1					W
		(A=FXXXXXX) (B=FXXXXXX) (C=FXXXXXX)									
27	1	1W7203-33630	HOLDER	1	1	1					
28	1	1W7203-43670	COVER(B)	1	1	1					
28-1	1	1W7203-43890	COVER(B)	1	1	1					N
		(A=FXXXXXX) (B=FXXXXXX) (C=FXXXXXX)									
29	1	1W7203-33610	HOLDER	1	1	1					
30	1	1W7203-43780	COVER,NUT	1	1	1					
31	1	1W7209-73715	NUT	1	1	1					
31-1	1	1W7203-73220	NUT	1	1	1					N
		(A=FXXXXXX) (B=FXXXXXX) (C=FXXXXXX)									
32	1	1W7208-53521	BAND COMPL,SHOULDER	1	1						
32-1	1	1W7208-53550	BAND,COMPL.,SHOULDER	1	1						N
		(A=FXXXXXX) (C=FXXXXXX)									

Fig.6. BRUSH CUTER (YBE355)

6. BRUSH CUTER (YBE355)



(A)=YBE355B(CE)
 (B)=YBE355L(CE)
 (C)=YBE355B(BR)

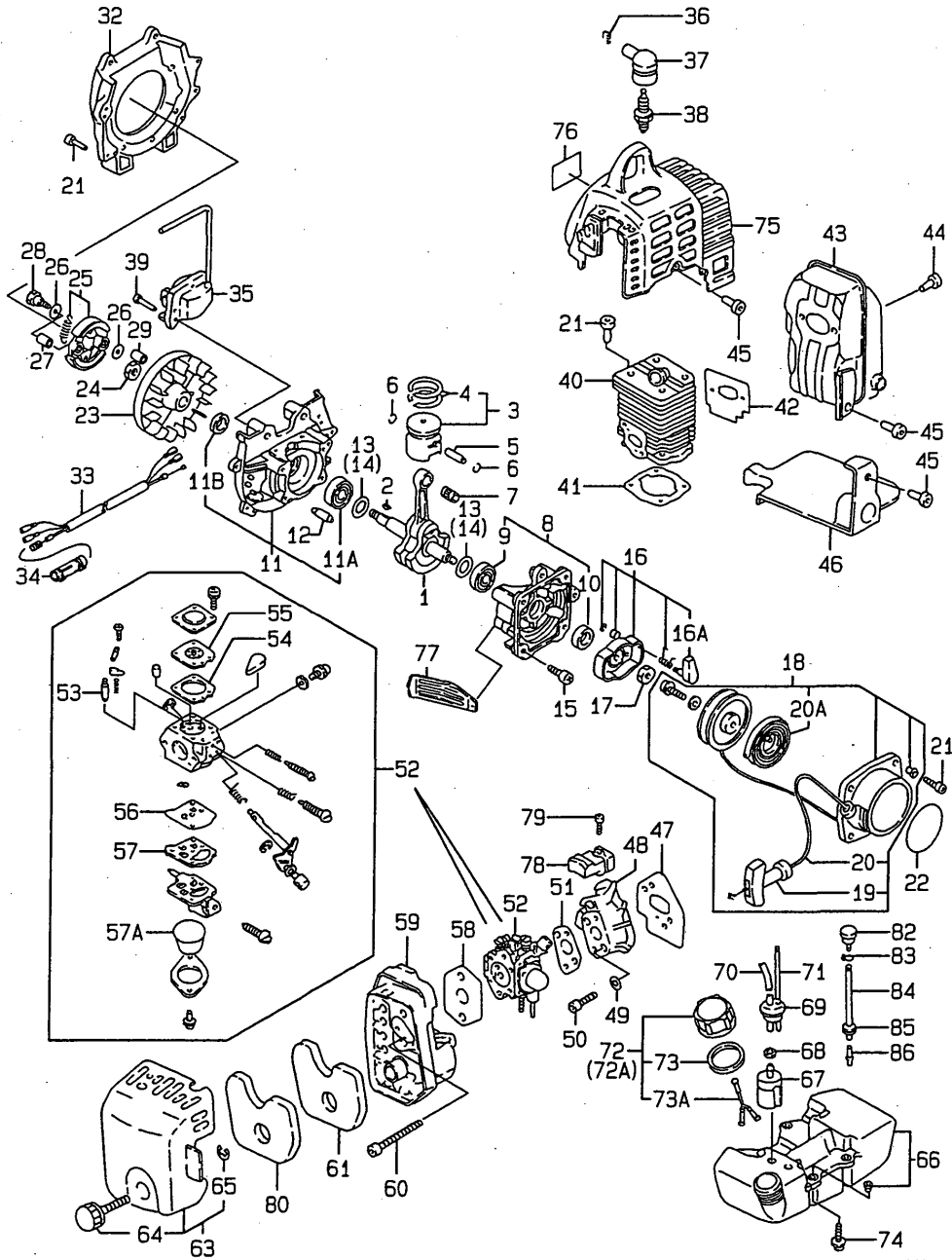
(D)=
 (E)=
 (F)=

No.	Lev.	Parts No.	Description	Qty						I	R
				(A)	(B)	(C)	(D)	(E)	(F)		
32A	1	1W7208-53470	BAND COMPL,SHOULDER		1						
33	1	1W7209-83371	SPANNER,BOX	1	1	1					
34	1	28150-040000	WRENCH, BAR 4	1	1	1					
35	1	1W1991-13150	BAND	2	2	2					
36	1	1W7209-83420	BAG,TOOL	1	1	1					
37	1	1W1958-33150	SAW,4 TOOTH	1	1	1					
38	1	1W1008-14090	INSTRUCTION MANUAL	1	1						
38-1	1	1W1008-14092	INSTRUCTION BOOK	1	1						N
		(A=FXXXXXX) (B=FXXXXXX)									
39	1	1W1956-33000	GOGGLE	1	1	1					
40	1	1W7209-13052	COVER,BLADE	1	1						
40-1	1	1W7209-13053	COVER,BLADE	1	1						N
		(A=FXXXXXX) (B=FXXXXXX)									
41	1	1W7200-53740	HANDLE ASS'Y		1						
42	2	1W7206-13320	HANDLE		1						
43	2	1W7202-43030	BAR,HANDLE		1						
44	2	1W7209-73183	BOLT,M6X18		2						
45	1	1W7207-23240	COLLAR		1						
46	1	1W1952-43010	MIXER ASSY			1					

N126277

Fig.7. ENGINE UNIT (YBE355RL)

7. ENGINE UNIT (YBE355RL)



N126278

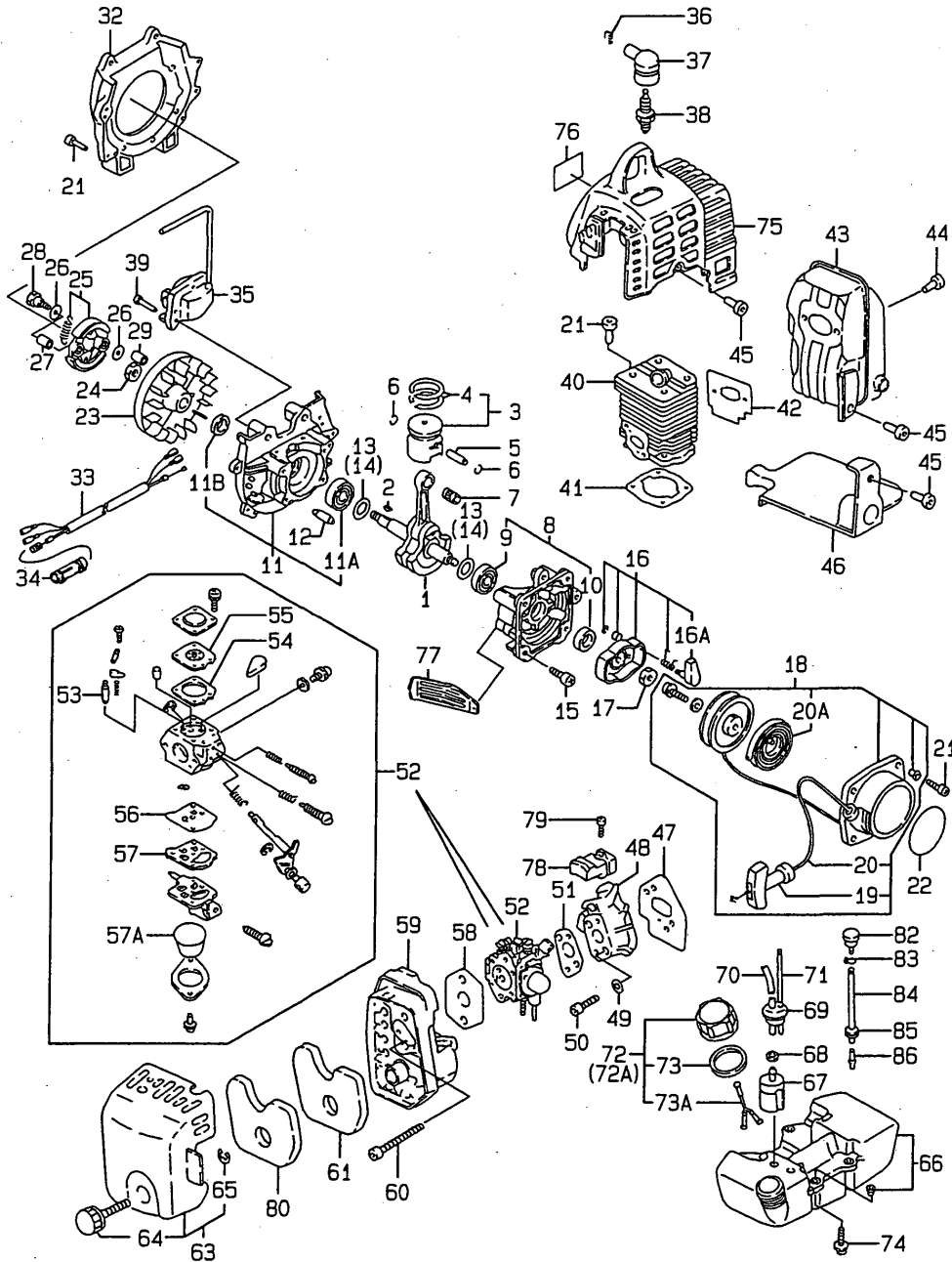
(A)=YBE355RL(CE)
(B)=YBE355RL(BR)
(C)=

(D)=
(E)=
(F)=

No.	Lev.	Parts No.	Description	Q'ty						I	R
				(A)	(B)	(C)	(D)	(E)	(F)		
1	1	1W1152-53440	CRANKSHAFT	1	1						
2	1	1W0343-09031	KEY	1	1						
3	1	1W1150-13280	PISTON ASS'Y	1	1						
4	2	1W1151-13730	RING,PISTON	2	2						
5	1	1W1153-23030	PIN,PISTON	1	1						
6	1	1W1983-43040	CLIP,PISTON PIN	2	2						
7	1	1W0427-09006	NEEDLE BEARING	1	1						
8	1	1W1100-35150	CRANKCASE ASS'Y	1	1						
9	2	24101-062014	BEARING, BALL 6201	1	1						
10	2	1W0502-09070	OIL SEAL	1	1						
11	1	1W1100-35170	CRANKCASE ASS'Y	1	1						
11A	2	24101-062014	BEARING, BALL 6201	1	1						
11B	2	1W0502-09070	OIL SEAL	1	1						
12	1	1W0305-00512	DOWEL PIN	2	2						
13	1	1W1992-83030	SHIM;T0.1	1	1						
14	1	1W1992-83040	SHIM;T0.2	1	1						
15	1	1W0107-09011	BOLT;M5X30	4	4						
16	1	1W1553-53060	PULLEY,STARTER	1	1						
16A	2	1W1551-63080	RATCHET	1	1						
17	1	26797-080002	NUT, LOCK M8	1	1						
18	1	1W1551-03341	RECOIL ASS'Y	1	1						
19	2	1W1552-23050	KNOB,STARTER	1	1						
20	2	1W1552-13090	ROPE,STARTER	1	1						
20A	2	1W1552-63210	SPRING,SPIRAL	1	1						
21	1	1W0107-09008	BOLT;M5X16	10	10						
22	1	1W1902-83930	NAME PLATE	1	1						
23	1	1W1501-03351	FLYWHEEL,MAGNETO	1	1						
24	1	1W0201-09107	NUT	1	1						
25	1	1W1700-33350	CLUTCH ASS'Y	1	1						
26	1	1W1992-13071	SPACER	4	4						
27	1	1W1992-33440	COLLAR	2	2						
28	1	26076-080302	BOLT, 10.98X 30	2	2						
29	1	1W1992-33450	COLLAR	2	2						
32	1	1W1751-14250	HOUSING,BLOWER	1	1						
33	1	1W1255-04630	WIRE,THROTTLE	1	1						
34	1	1W1256-83060	HOLDER,WIRE	1	1						
35	1	1W1500-53320	COIL ASS'Y,IGNITION	1	1						
36	1	1W1982-13300	SPRING	1	1						
37	1	1W1504-13033	CAP,PLUG	1	1						
38	1	1W1502-65091	PLUG,SPARK	1	1						
39	1	1W0107-09009	BOLT;M5X20	2	2						
40	1	1W1102-13540	CYLINDER	1	1						
41	1	1W1109-93410	GASKET	1	1						
42	1	1W1359-93970	GASKET	1	1						
43	1	1W1354-03520	MUFFLER	1	1						
44	1	1W0107-09040	BOLT;M5X58	2	2						
45	1	1W0107-09006	BOLT;M5X12	4	4						
46	1	1W1354-33560	PLATE,BAFFLE	1	1						
47	1	1W1359-93951	GASKET	1	1						
48	1	1W1995-13550	INSULATOR	1	1						
49	1	22137-050000	WASHER, 5	2	2						

Fig.7. ENGINE UNIT (YBE355RL)

7. ENGINE UNIT (YBE355RL)



N126278

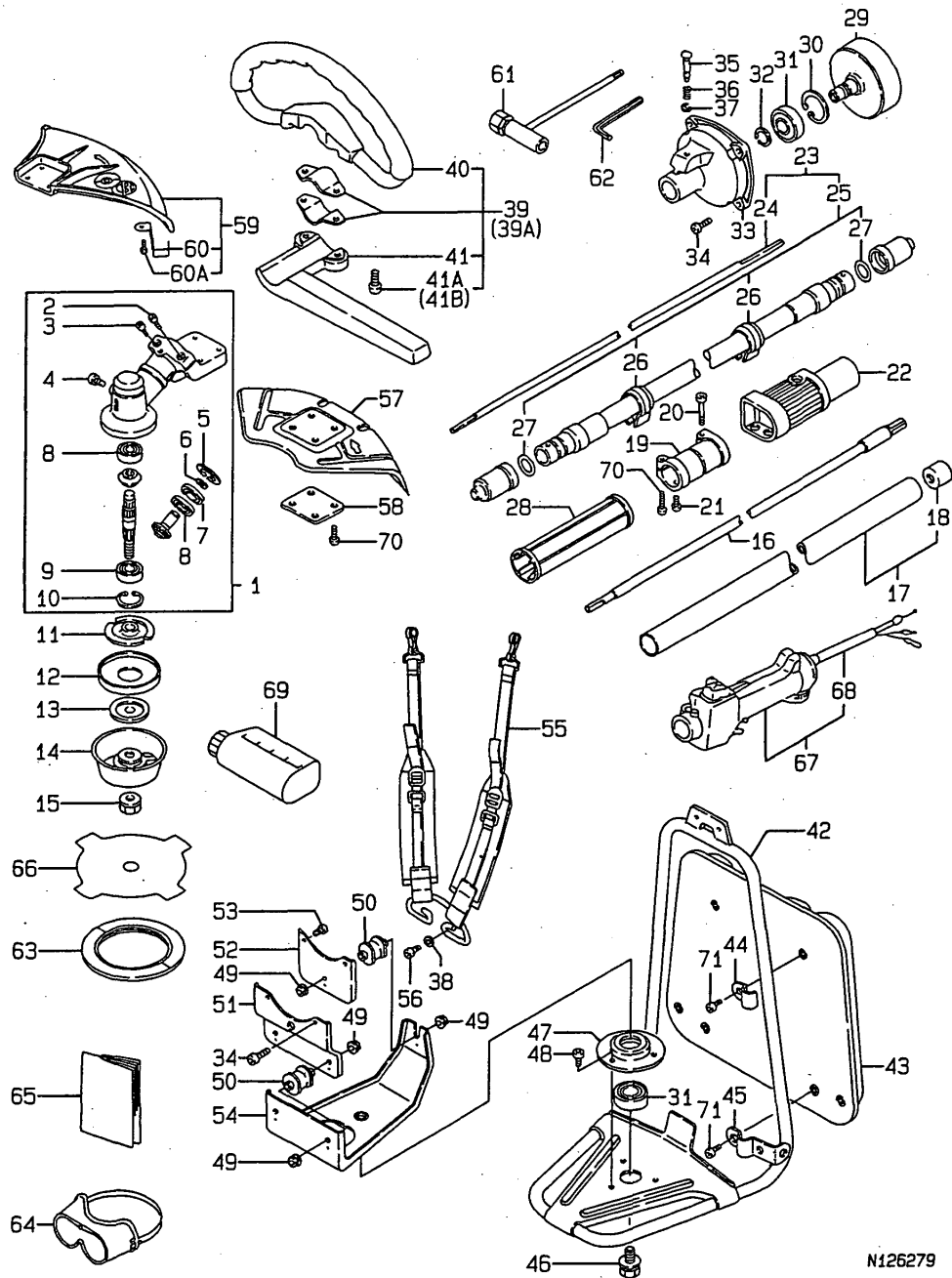
(A)=YBE355RL(CE)
(B)=YBE355RL(BR)
(C)=

(D)=
(E)=
(F)=

No.	Lev.	Parts No.	Description	Q'ty						I	R
				(A)	(B)	(C)	(D)	(E)	(F)		
50	1	1W0107-09010	BOLT;M5X25	2	2						
51	1	1W1359-93962	GASKET	1	1						
52	1	1W1301-04220	CARBURETOR ASS'Y	1	1						
53	2	1W1301-53210	VALVE,FLOAT	1	1						
54	2	1W1301-23350	GASKET	1	1						
55	2	1W1302-83357	DIAPHRAGM,METERING	1	1						
56	2	1W1305-13409	DIAPHRAGM,PUMP	1	1						
57	2	1W1305-13410	GASKET	1	1						
57A	2	1W1981-13870	RUBBER	1	1						
58	1	1W1359-93430	GASKET	1	1						
59	1	1W1357-13372	CASE COMPL	1	1						
60	1	1W0107-09016	BOLT;M5X48	2	2						
61	1	1W1352-63380	ELEMENT	1	1						
63	1	1W1357-13392	CASE COMPL,CAP	1	1						
64	2	1W1994-33090	BOLT	1	1						
65	2	22272-000050	RING, E- 5	1	1						
66	1	1W1601-03250	TANK,FUEL	1	1						
67	1	1W1303-03290	FILTER,FUEL	1	1						
68	1	1W1983-43181	CLIP	1	1						
69	1	1W1981-13730	RUBBER	1	1						
70	1	1W1981-63080	HOSE	1	1						
71	1	1W0682-09150	HOSE	1	1						
72	1	1W1600-33210	CAP ASS'Y,FUEL TANK	1							
72A	1	1W1600-33200	CAP ASS'Y,FUEL TANK		1						
73	2	1W1609-93100	GASKET	1	1						
73A	2	1W1601-73030	HANGER	1							
74	1	1W0107-09017	BOLT;M5X14	4	4						
75	1	1W1751-53580	COWLING	1	1						
76	1	1W1903-33250	MARK,TRADE	1	1						
77	1	1W1753-13120	GUARD,FAN	1							
78	1	1W1255-43090	ADJUSTER	1	1						
79	1	1W0107-09015	BOLT;M4X12	1							
80	1	1W1352-63370	ELEMENT(A)	1	1						
82	1	1W1600-43120	VALVE ASS'Y,REVERSIN	1	1						
83	1	1W1983-43060	CLIP	1	1						
84	1	1W0682-09176	HOSE	1	1						
85	1	1W1981-13560	RUBBER	1	1						
86	1	1W1984-83100	CONNECTOR	1	1						

Fig.8. BRUSH CUTER (YBE355RL)

8. BRUSH CUTER (YBE355RL)



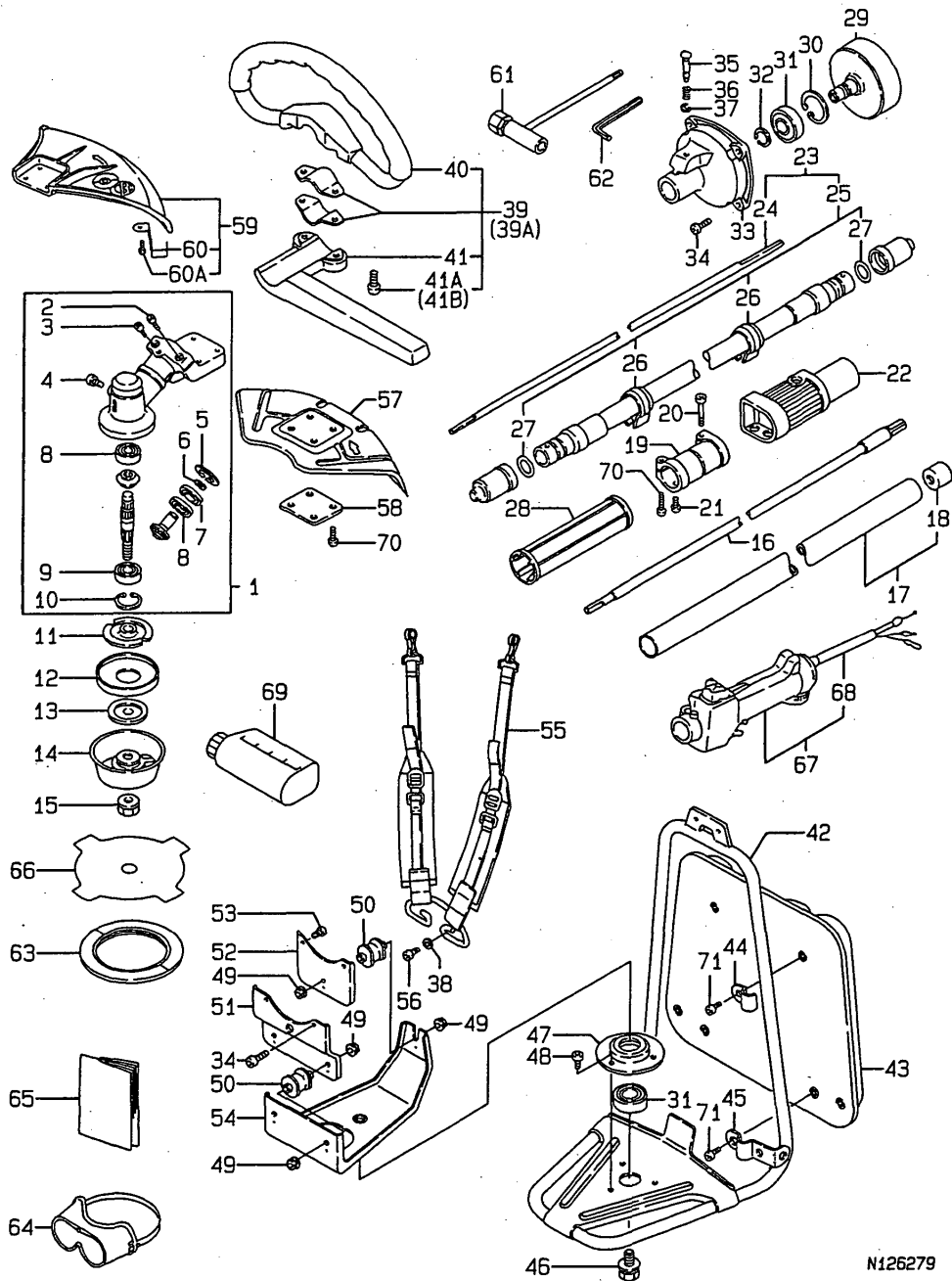
(A)=YBE355RL(CE)
 (B)=YBE355RL(BR)
 (C)=

(D)=
 (E)=
 (F)=

No.	Lev.	Parts No.	Description	Q'ty						I	R
				(A)	(B)	(C)	(D)	(E)	(F)		
1	1	1W7200-23940	CASE ASS'Y,GEAR	1	1						
2	2	1W0107-09009	BOLT;M5X20	2	2						
3	2	1W7209-73175	BOLT;M5X10	1	1						
4	2	1W7209-73663	BOLT;M6X8	1	1						
5	2	22252-000260	RING, 26	1	1						
6	2	22242-000100	RING, 10	1	1						
7	2	24107-060004	BEARING, BALL 6000ZZ	1	1						
8	2	24101-060004	BEARING, BALL 6000	2	2						
9	2	24104-060014	BEARING, BALL 6001UU	1	1						
10	2	22252-000280	RING, 28	1	1						
11	1	1W7203-33630	HOLDER	1	1						
12	1	1W7203-43670	COVER(B)	1	1						
13	1	1W7203-33610	HOLDER	1	1						
14	1	1W7203-43780	COVER,NUT	1	1						
15	1	1W7209-73715	NUT	1	1						
16	1	1W7201-13480	SHAFT,DRIVE	1	1						
17	1	1W7201-24400	PIPE COMPL	1	1						
18	2	1W7201-33061	METAL	8	8						
19	1	1W7203-83120	CASE,JOINT	1	1						
20	1	1W7209-73728	BOLT;M5X30	1	1						
21	1	1W7209-73673	BOLT;M5X8	1	1						
22	1	1W7203-43810	COVER,JOINT	1	1						
23	1	1W7208-80100	SHAFT ASS'Y,FLEXIBLE	1	1						
24	2	1W7201-13370	SHAFT,FLEXIBLE	1	1						
25	2	1W7208-90120	LINER,FLEXIBLE	1	1						
26	3	1W1991-13170	CLAMP	2	2						
27	3	1W7209-73698	O-RING	2	2						
28	1	1W7207-23240	COLLAR	1							
29	1	1W7205-23260	DRUM,CLUTCH	1	1						
30	1	22252-000350	RING, 35	1	1						
31	1	24107-062024	BEARING, BALL 6202ZZ	2	2						
32	1	22242-000150	RING, 15	1	1						
33	1	1W7205-13560	HOUSING,CLUTCH	1	1						
34	1	1W7209-73183	BOLT;M6X18	4	4						
35	1	1W7209-73729	PIN,JOINT	1	1						
36	1	1W7204-23100	SPRING	1	1						
37	1	22272-000040	RING, E- 4	1	1						
38	1	22137-060000	WASHER, 6	2	2						
39	1	1W7200-53750	HANDLE ASS'Y			1					
39A	1	1W7200-53740	HANDLE ASS'Y			1					
40	2	1W7206-13320	HANDLE	1	1						
41	2	1W7202-43030	BAR,HANDLE	1							
41A	2	1W7209-73183	BOLT;M6X18	2							
41B	2	1W7209-73177	BOLT;M6X12		2						
42	1	1W7208-70070	FRAME COMPL	1	1						
43	1	1W7202-23100	CUSHION	1	1						
44	1	1W7204-73300	STAY	2	2						
45	1	1W7204-73341	STAY	2	2						
46	1	1W7209-73691	BOLT;M10X20	1	1						
47	1	1W7201-63070	HOLDER,BEARING	1	1						
48	1	1W7209-73643	BOLT;M6X10	3	3						

Fig.8. BRUSH CUTER (YBE355RL)

8. BRUSH CUTER (YBE355RL)



N126279

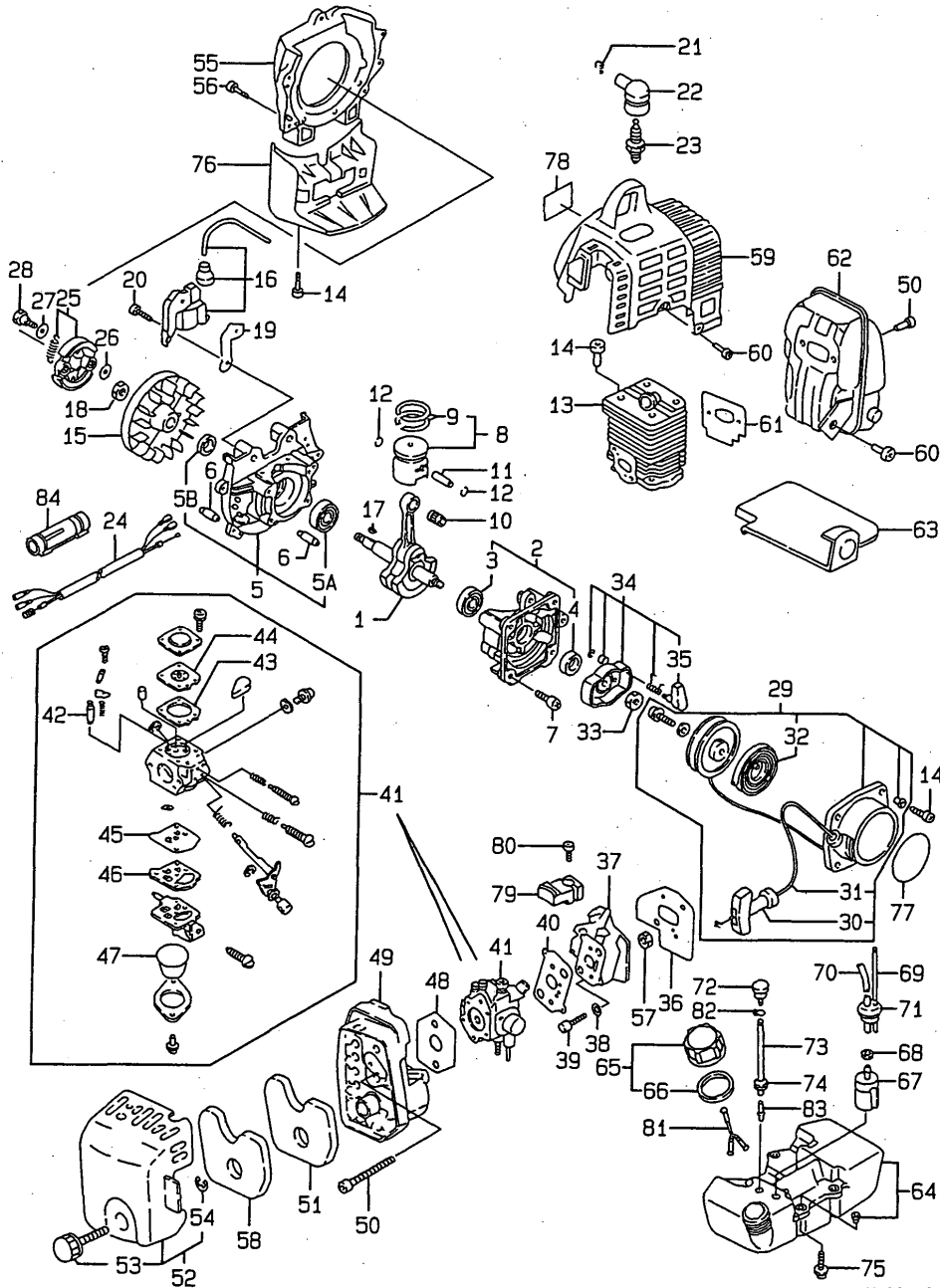
(A)=YBE355RL(CE)
(B)=YBE355RL(BR)
(C)=

(D)=
(E)=
(F)=

No.	Lev.	Parts No.	Description	Q'ty						I	R
				(A)	(B)	(C)	(D)	(E)	(F)		
49	1	26367-060002	NUT, M6	6	6						
50	1	1W7207-03030	RUBBER COMPL	3	3						
51	1	1W7204-73710	STAY	1	1						
52	1	1W7204-73700	STAY	1	1						
53	1	1W0107-09008	BOLT;M5X16	2	2						
54	1	1W7204-73590	STAY,ENGINE	1	1						
55	1	1W7208-53430	BAND COMPL,SHOULDER	1	1						
56	1	1W7209-73177	BOLT;M6X12	2	2						
57	1	1W7204-63400	DEFLECTOR	1	1						
58	1	1W7204-73180	PLATE	1	1						
59	1	1W7200-43500	DEFLECTOR ASS'Y	1							
60	2	1W7204-93050	CUTTER	1							
60A	2	1W0107-09008	BOLT;M5X16	1							
61	1	1W7209-83371	SPANNER,BOX	1	1						
62	1	28150-040000	WRENCH, BAR 4	1	1						
63	1	1W7209-13052	COVER,BLADE	1							
64	1	1W1956-33000	GOGGLE	1	1						
65	1	1W1008-14090	INSTRUCTION MANUAL	1							
66	1	1W1958-33150	SAW,4 TOOTH	1	1						
67	1	1W1250-34100	LEVER ASS'Y,THROTTLE	1	1						
68	2	1W1255-04770	WIRE,THROTTLE	1	1						
69	1	1W1952-43010	MIXER ASS'Y					1			
70	1	1W0107-09009	BOLT;M5X20	5	5						
71	1	1W7209-73175	BOLT;M5X10	6	6						

Fig.9. ENGINE UNIT (YBE405B)

9. ENGINE UNIT (YBE405B)



N126280

(A)=YBE405B

(B)=

(C)=

(D)=

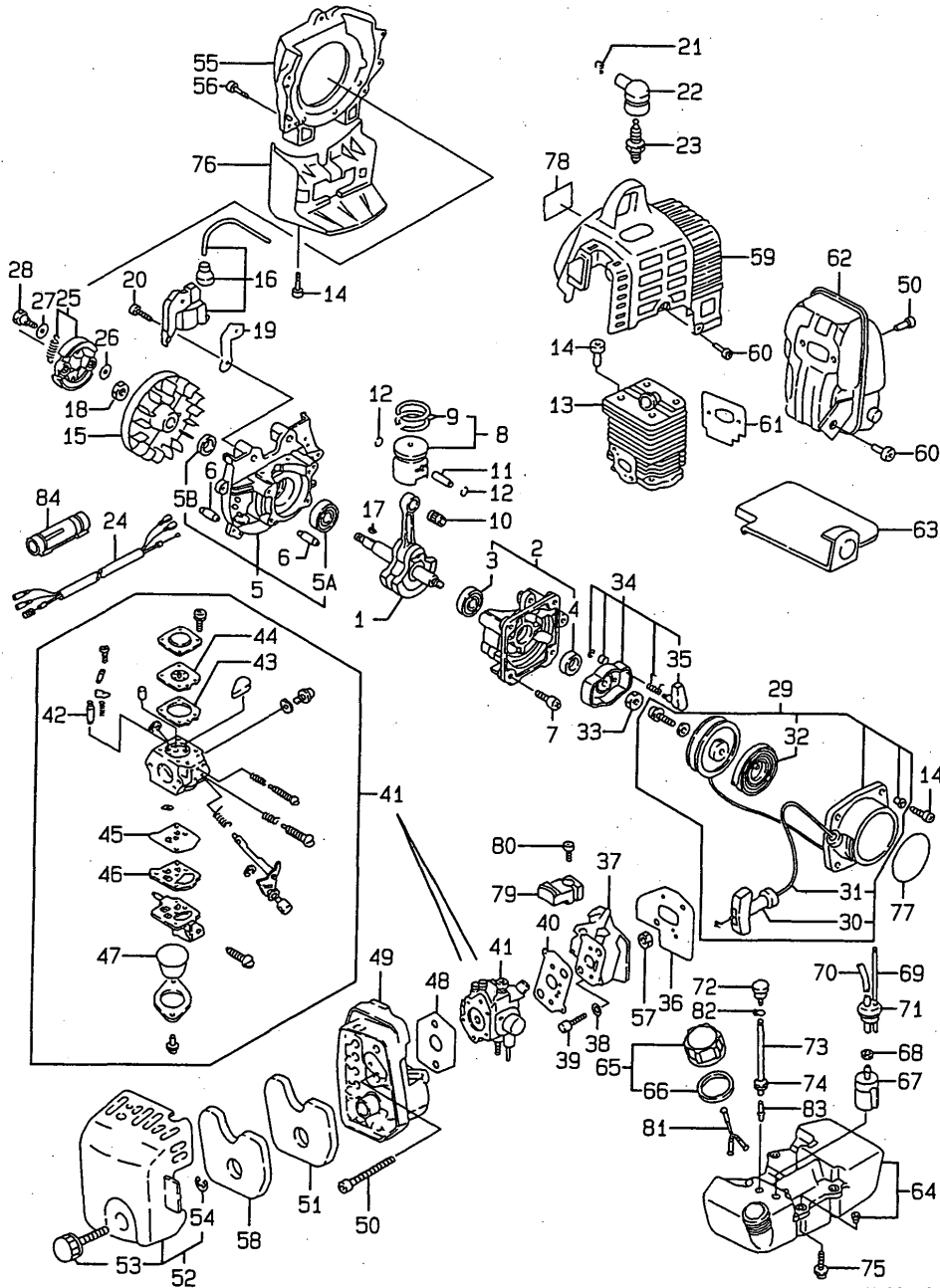
(E)=

(F)=

No.	Lev.	Parts No.	Description	Qty						I	R
				(A)	(B)	(C)	(D)	(E)	(F)		
1	1	1W1152-53480	CRANKSHAFT	1							
2	1	1W1100-35210	CRANKCASE ASS'Y	1							
3	2	24101-062024	BEARING, BALL 6202	1							
4	2	1W0502-09077	SEAL, OIL	1							
5	1	1W1100-35220	CRANKCASE ASS'Y	1							
5A	2	24101-062024	BEARING, BALL 6202	1							
5B	2	1W0502-09077	SEAL, OIL	1							
6	1	1W0305-00512	DOWEL PIN	2							
7	1	1W0107-09011	BOLT;M5X30	4							
8	1	1W1150-13320	PISTON ASS'Y	1							
9	2	1W1151-15710	RING,PISTON	2							
10	1	1W0427-09006	NEEDLE BEARING	1							
11	1	1W1153-23030	PIN,PISTON	1							
12	1	1W1983-43040	CLIP,PISTON PIN	2							
13	1	1W1102-13580	CYLINDER	1							
14	1	1W0107-09008	BOLT;M5X16	10							
15	1	1W1501-03490	FLYWHEEL	1							
16	1	1W1500-53340	COIL ASS'Y,IGNITION	1							
17	1	1W0343-09031	KEY	1							
18	1	26377-100002	NUT, M10	1							
19	1	1W1995-13451	INSULATOR	1							
20	1	1W0107-09018	BOLT;M4X20	2							
21	1	1W1982-13300	SPRING	1							
22	1	1W1504-13033	CAP,PLUG	1							
23	1	1W1502-65091	PLUG,SPARK	1							
24	1	1W1255-04670	WIRE,THROTTLE	2							
25	1	1W1700-33241	CLUTCH ASS'Y	1							
26	1	1W1992-13071	SPACER	2							
27	1	1W1992-13180	SPACER	2							
28	1	1W1994-33082	BOLT	2							
29	1	1W1551-03480	RECOIL ASS'Y	1							
30	2	1W1552-23050	KNOB,STARTER	1							
31	2	1W1552-13140	ROPE,STARTER	1							
32	2	1W1552-63280	SPRING,SPIRAL	1							
33	1	26797-080002	NUT, LOCK M8	1							
34	1	1W1553-53100	PULLEY,STARTER	1							
35	2	1W1551-63080	RATCHET	1							
36	1	1W1359-94030	GASKET	1							
37	1	1W1995-13520	INSULATOR	1							
38	1	22137-050000	WASHER, 5	2							
39	1	1W0107-09010	BOLT;M5X25	2							
40	1	1W1359-94040	GASKET	1							
41	1	1W1301-04310	CARBURETOR ASS'Y	1							
42	2	1W1301-53210	VALVE,FLOAT	1							
43	2	1W1301-23350	GASKET	1							
44	2	1W1302-83357	DIAPHRAGM,METERING	1							
45	2	1W1305-13409	DIAPHRAGM,PUMP	1							
46	2	1W1305-13413	GASKET	1							
47	2	1W1981-13900	RUBBER	1							
48	1	1W1359-93430	GASKET	1							
49	1	1W1357-13372	CASE COMPL	1							

Fig.9. ENGINE UNIT (YBE405B)

9. ENGINE UNIT (YBE405B)



N126280

(A)=YBE405B

(B)=

(C)=

(D)=

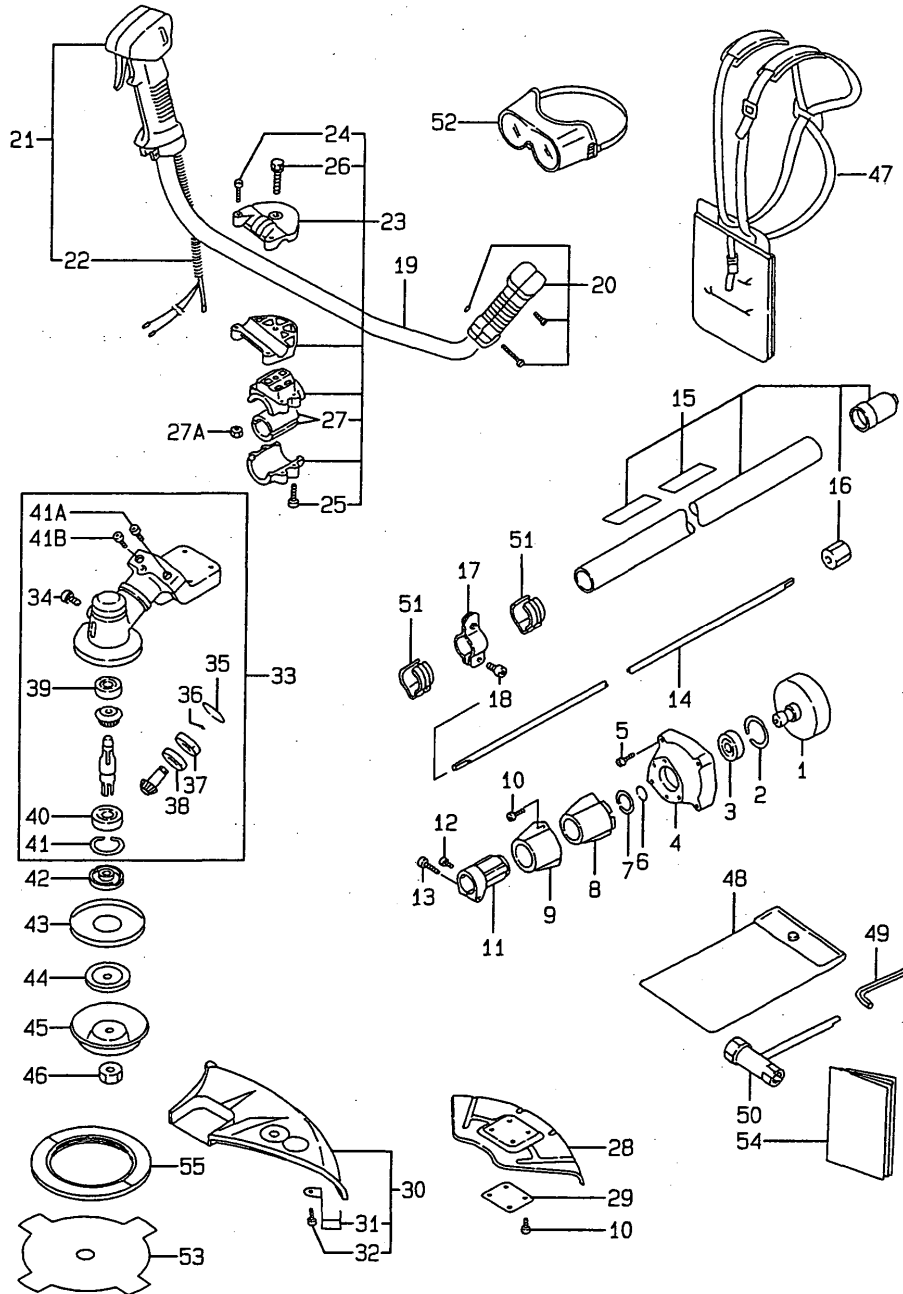
(E)=

(F)=

No.	Lev.	Parts No.	Description	Qty						I	R
				(A)	(B)	(C)	(D)	(E)	(F)		
50	1	1W0107-09040	BOLT;M5X58	4							
51	1	1W1352-63380	ELEMENT	1							
52	1	1W1357-13392	CASE COMPL,CAP	1							
53	2	1W1994-33090	BOLT	1							
54	2	22272-000050	RING, E- 5	1							
55	1	1W1751-14350	HOUSING,BLOWER	1							
56	1	1W0107-09009	BOLT;M5X20	4							
57	1	1W0201-00005	NUT	2							
58	1	1W1352-63370	ELEMENT(A)	1							
59	1	1W1751-53700	COWLING	1							
60	1	1W0107-09006	BOLT;M5X12	5							
61	1	1W1359-94050	GASKET	1							
62	1	1W1354-03560	MUFFLER	1							
63	1	1W1354-33640	PLATE,BAFFLE	1							
64	1	1W1601-03260	TANK,FUEL	1							
65	1	1W1600-33210	CAP ASS'Y,FUEL TANK	1							
66	2	1W1609-93100	GASKET	1							
67	1	1W1303-03290	FILTER,FUEL	1							
68	1	1W1983-43181	CLIP	1							
69	1	1W0682-09128	HOSE	1							
70	1	1W0682-09150	HOSE	1							
71	1	1W1981-13850	RUBBER	1							
72	1	1W1600-43120	VALVE ASS'Y,REVERSIN	1							
73	1	1W0682-09174	HOSE	1							
74	1	1W1981-13560	RUBBER	1							
75	1	1W0107-09017	BOLT;M5X14	4							
76	1	1W1759-73371	STAY,STAND	1							
77	1	1W1902-83510	PLATE,NAME	1							
78	1	1W1903-33250	MARK,TRADE	1							
79	1	1W1255-43090	ADJUSTER	1							
80	1	1W0107-09015	BOLT;M4X12	1							
81	1	1W1601-73030	HANGER	1							
82	1	1W1983-43060	CLIP	1							
83	1	1W1984-83100	CONNECTOR	1							
84	1	1W1256-83060	HOLDER,WIRE	1							

Fig.10. BRUSH CUTER (YBE405B)

10. BRUSH CUTER (YBE405B)



(A)=YBE405B

(B)=

(C)=

(D)=

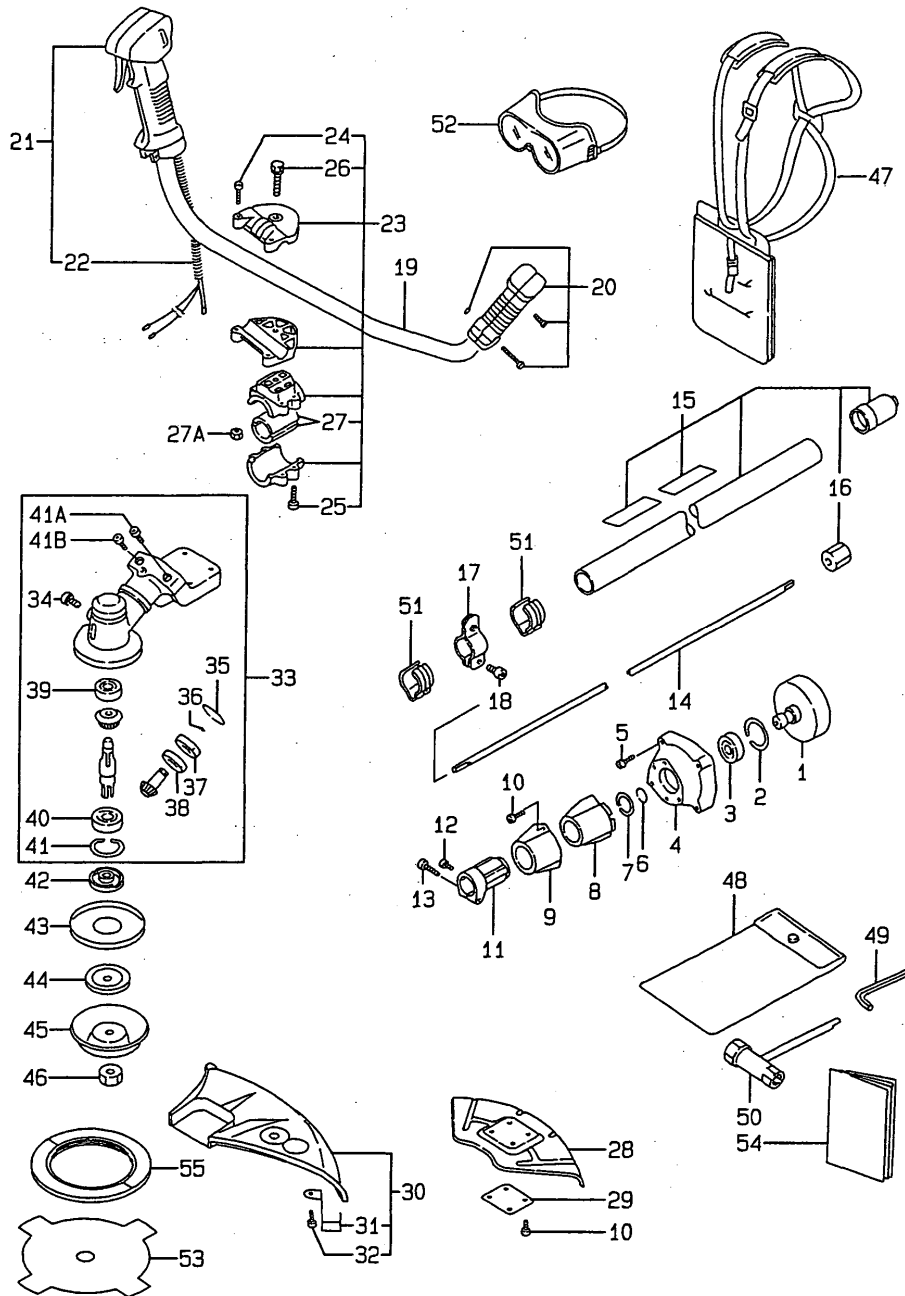
(E)=

(F)=

No.	Lev.	Parts No.	Description	Qty						I	R
				(A)	(B)	(C)	(D)	(E)	(F)		
1	1	1W7205-23240	DRUM,CLUTCH	1							
2	1	22252-000400	RING, 40	1							
3	1	24107-062034	BEARING, BALL 6203ZZ	1							
4	1	1W7205-13530	HOUSING,CLUTCH	1							
5	1	1W7209-73179	BOLT;M6X30	4							
6	1	22242-000170	RING, 17	1							
7	1	1W7209-73716	SNAP RING;S-32	1							
8	1	1W7207-13190	RUBBER,HOUSING	1							
9	1	1W7205-13540	CASE	1							
10	1	1W0107-09009	BOLT;M5X20	9							
11	1	1W7207-23250	COLLAR	1							
12	1	1W7209-73175	BOLT;M5X10	1							
13	1	1W7209-73183	BOLT;M6X18	1							
14	1	1W7201-13460	SHAFT,DRIVE	1							
15	1	1W7201-24380	PIPE COMPL	1							
16	2	1W7201-33300	METAL	6							
17	1	1W7202-03260	HANGER COMPL	1							
18	1	1W7209-73178	BOLT;M6X14	1							
19	1	1W7206-13370	HANDLE	1							
20	1	1W7206-23520	GRIP ASS'Y	1							
21	1	1W1250-34060	LEVER ASS'Y,THROTTLE	1							
22	2	1W1255-04650	WIRE,THROTTLE	1							
23	1	1W7200-63320	HOLDER ASS'Y,HANDLE	1							
24	2	1W7209-73184	BOLT;M6X26	2							
25	2	1W7209-73179	BOLT;M6X30	4							
26	2	1W7209-73717	BOLT;M8X45	1							
27	2	1W7207-13210	RUBBER	2							
27A	1	1W0201-00008	NUT	4							
28	1	1W7204-63400	DEFLECTOR	1							
29	1	1W7204-73180	PLATE	1							
30	1	1W7200-43500	DEFLECTOR ASS'Y	1							
31	2	1W7204-93050	CUTTER	1							
32	2	1W0107-09008	BOLT;M5X16	1							
33	1	1W7200-23950	CASE ASS'Y,GEAR	1							
34	2	1W7209-73663	BOLT;M6X8	1							
35	2	22252-000280	RING, 28	1							
36	2	22242-000150	RING, 15	1							
37	2	1W7209-73718	BALL BEARING;6902ZZ	1							
38	2	1W7209-73719	BALL BEARING;6902	1							
39	2	24101-060004	BEARING, BALL 6000	1							
40	2	24104-060024	BEARING, BALL 6002UU	1							
41	2	22252-000320	RING, 32	1							
41A	2	1W0107-09009	BOLT;M5X20	2							
41B	2	1W7209-73175	BOLT;M5X10	1							
42	1	1W7203-33760	HOLDER	1							
43	1	1W7203-43670	COVER(B)	1							
44	1	1W7203-33770	HOLDER	1							
45	1	1W7203-43790	COVER,NUT	1							
46	1	1W7203-73150	NUT	1							
47	1	1W7208-53520	BAND COMPL,SHOUDER	1							
48	1	1W7209-83420	BAG,TOOL	1							

Fig.10. BRUSH CUTER (YBE405B)

10. BRUSH CUTER (YBE405B)



(A)=YBE405B

(B)=

(C)=

(D)=

(E)=

(F)=

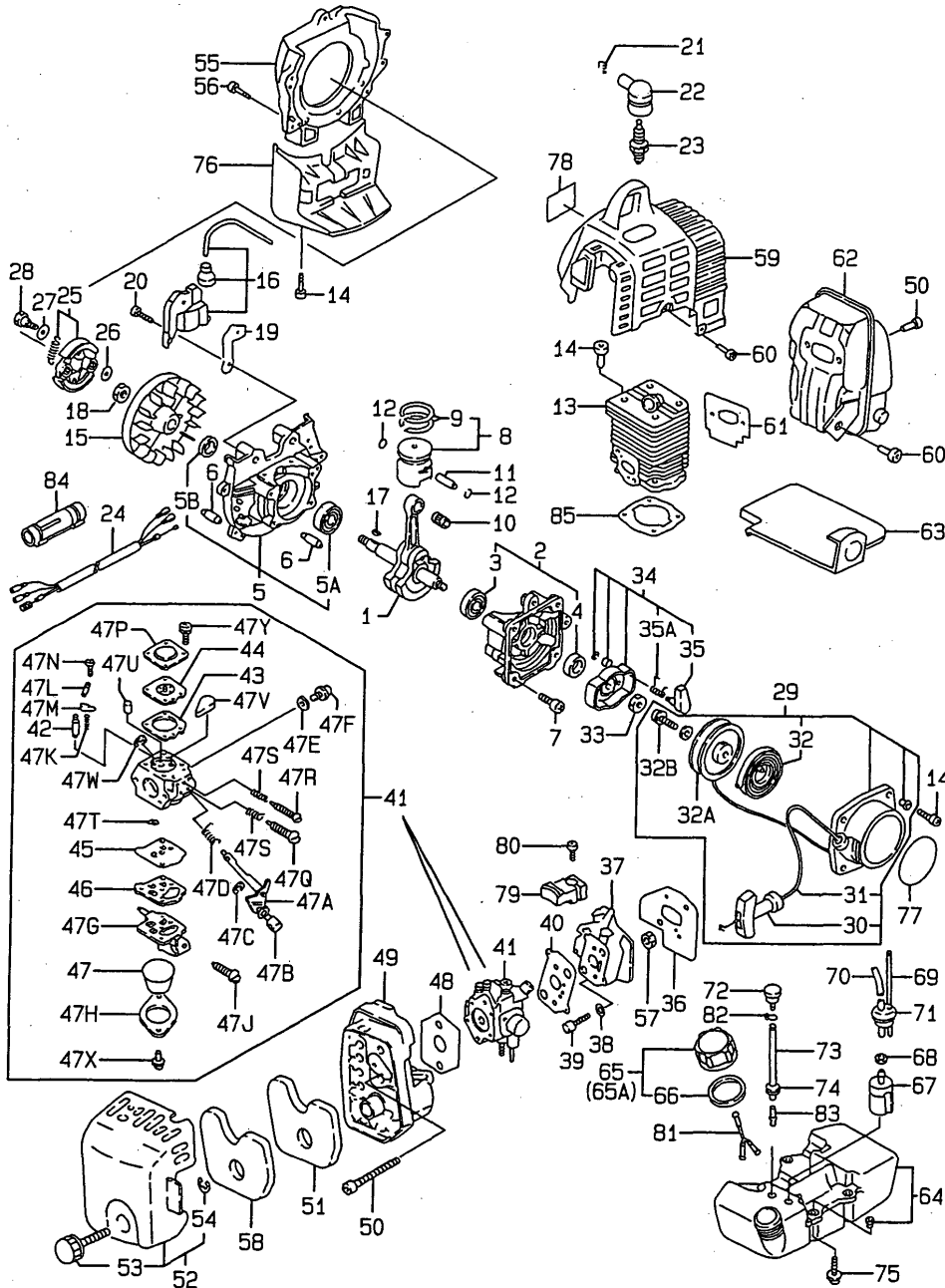
No.	Lev.	Parts No.	Description	Qty						I	R
				(A)	(B)	(C)	(D)	(E)	(F)		
49	1	28150-040000	WRENCH, BAR 4	1							
50	1	1W7209-83530	SPANNER, BOX, 13X19	1							
51	1	1W1991-13160	CLAMP	2							
52	1	1W1956-33000	GOGGLE	1							
53	1	1W1958-33150	SAW, 4 TOOTH	1							
54	1	1W1008-14090	INSTRUCTION MANUAL	1							
55	1	1W7209-13052	COVER, BLADE	1							

Fig.11. ENGINE UNIT (YBE455B)

(A)=YBE455B(CE)
(B)=YBE455B(BR)
(C)=

(D)=
(E)=
(F)=

11. ENGINE UNIT (YBE455B)



N126282

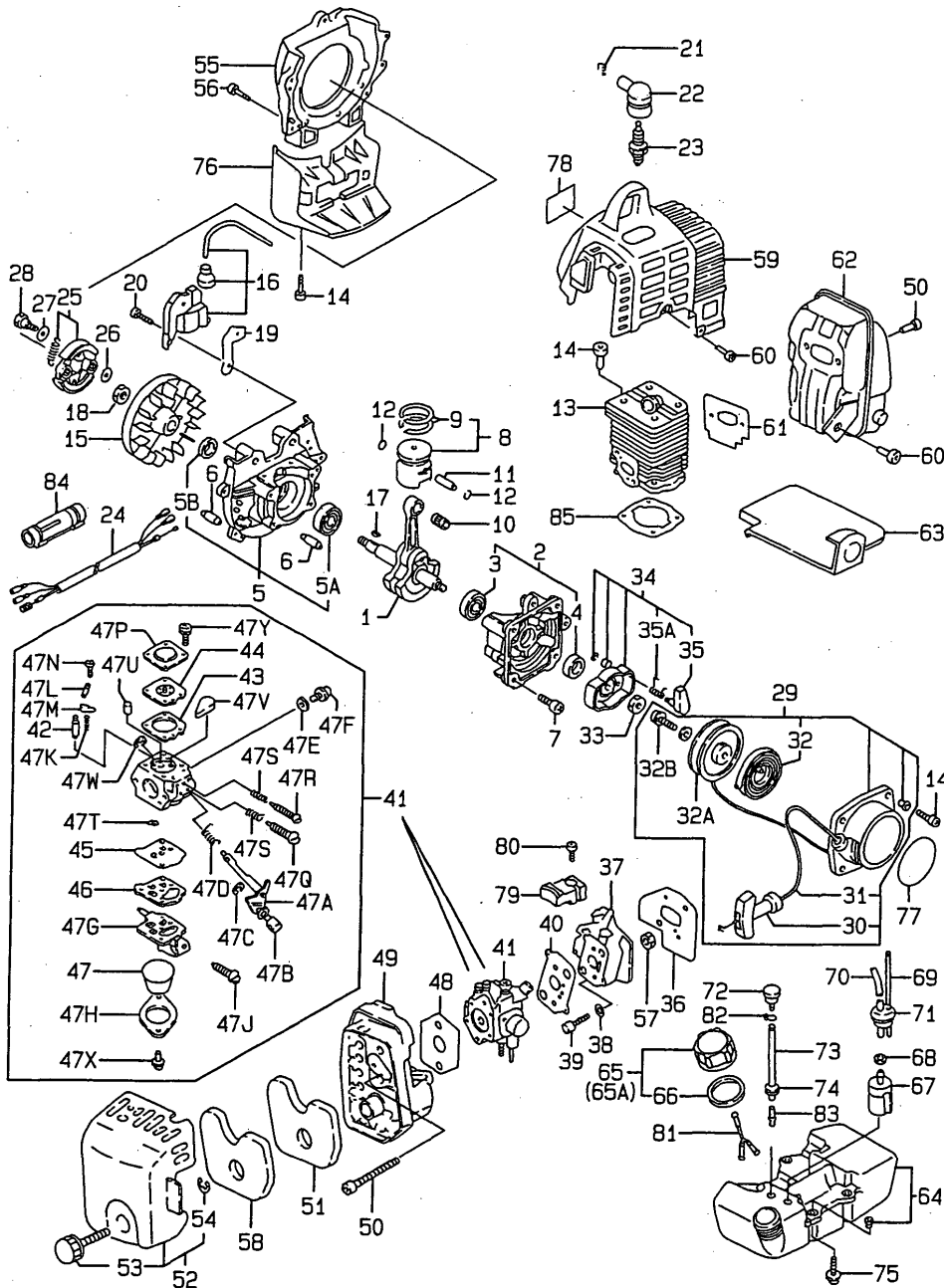
No.	Lev.	Parts No.	Description	Q'ty						I	R
				(A)	(B)	(C)	(D)	(E)	(F)		
1	1	1W1152-53480	CRANKSHAFT	1	1						
1-1	1	1W1152-53481	CRANKSHAFT COMP	1	1						N
		(A=FXXXXXX) (B=FXXXXXX)									
2	1	1W1100-35210	CRANKCASE ASS'Y	1	1						
2-1	1	1W1100-35211	CRANKCASE ASS'Y	1	1						N
		(A=FXXXXXX) (B=FXXXXXX)									
3	2	24101-062024	BEARING, BALL 6202	1	1						
4	2	1W0502-09077	SEAL, OIL	1	1						
5	1	1W1100-35220	CRANKCASE ASS'Y	1	1						
5-1	1	1W1100-35221	CRANKCASE ASS'Y	1	1						F 1
		(A=FXXXXXX) (B=FXXXXXX)									
5A	2	24101-062024	BEARING, BALL 6202	1	1						
5B	2	1W0502-09077	SEAL, OIL	1	1						
6	1	1W0305-00512	DOWEL PIN	2	2						
7	1	1W0107-09011	BOLT;M5X30	4	4						
8	1	1W1150-13330	PISTON ASS'Y	1	1						
9	2	1W1151-15700	RING,PISTON	2	2						
10	1	1W0427-09006	NEEDLE BEARING	1	1						
11	1	1W1153-23030	PIN,PISTON	1	1						
12	1	1W1983-43040	CLIP,PISTON PIN	2	2						
13	1	1W1102-13600	CYLINDER	1	1						
13-1	1	1W1102-13601	CYLINDER	1	1						N
		(A=FXXXXXX) (B=FXXXXXX)									
14	1	1W0107-09008	BOLT;M5X16	10	10						
15	1	1W1501-03490	FLYWHEEL	1	1						
16	1	1W1500-53340	COIL ASS'Y,IGNITION	1	1						
17	1	1W0343-09031	KEY	1	1						
18	1	26377-100002	NUT, M10	1	1						
19	1	1W1995-13451	INSULATOR	1	1						
20	1	1W0107-09018	BOLT;M4X20	2	2						
21	1	1W1982-13300	SPRING	1	1						
22	1	1W1504-13033	CAP,PLUG	1	1						
23	1	1W1502-65091	PLUG,SPARK	1	1						
24	1	1W1255-04670	WIRE,THROTTLE	2	2						
25	1	1W1700-33241	CLUTCH ASS'Y	1	1						
26	1	1W1992-13071	SPACER	2	2						
27	1	1W1992-13180	SPACER	2	2						
28	1	1W1994-33082	BOLT	2	2						
29	1	1W1551-03480	RECOIL ASS'Y	1	1						
29-1	1	1W1551-03481	RECOIL ASS'Y	1	1						N
		(A=FXXXXXX) (B=FXXXXXX)									
30	2	1W1552-23050	KNOB,STARTER	1	1						
31	2	1W1552-13140	ROPE,STARTER	1	1						
31-1	2	1W1552-13141	ROPE,STARTER	1	1						N
		(A=FXXXXXX) (B=FXXXXXX)									
32	2	1W1552-63280	SPRING,SPIRAL	1	1						
32A	2	1W1551-83140	REEL	1	1						W
		(A=FXXXXXX) (B=FXXXXXX)									
32B	2	1W1553-43070	SCREW	1	1						W
		(A=FXXXXXX) (B=FXXXXXX)									
33	1	26797-080002	NUT, LOCK M8	1	1						

Fig.11. ENGINE UNIT (YBE455B)

(A)=YBE455B(CE)
(B)=YBE455B(BR)
(C)=

(D)=
(E)=
(F)=

11. ENGINE UNIT (YBE455B)



N126282

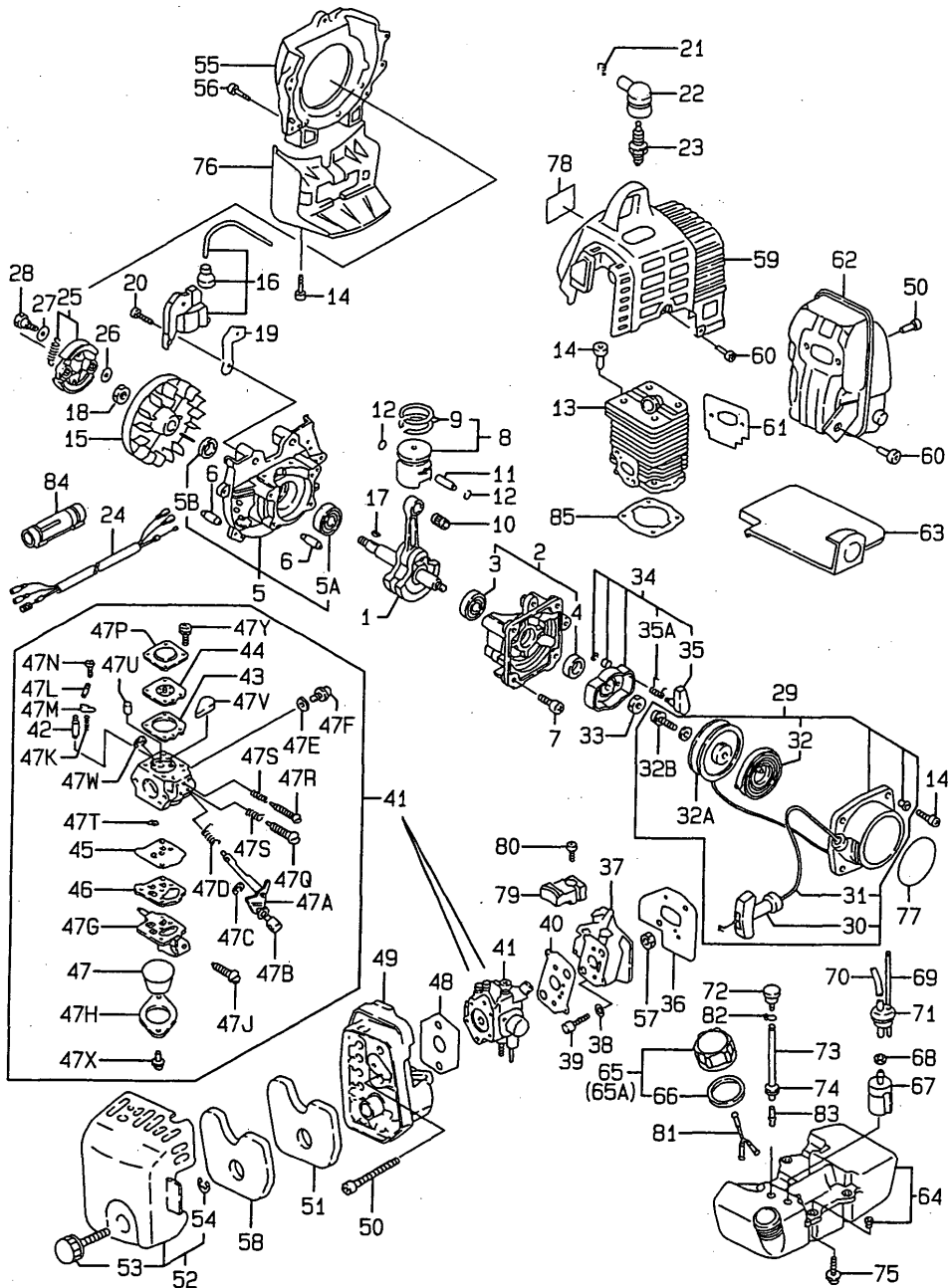
No.	Lev.	Parts No.	Description	Q'ty						I	R
				(A)	(B)	(C)	(D)	(E)	(F)		
34	1	1W1553-53100	PULLEY,STARTER	1	1						
34-1	1	1W1553-53101	PULLEY,STARTER	1	1						N
		(A=FXXXXXX) (B=FXXXXXX)									
35	2	1W1551-63080	RATCHET	1	1						
35-1	2	1W1551-63081	RATCHET	1	1						N
		(A=FXXXXXX) (B=FXXXXXX)									
35A	2	1W1552-63300	RETURN SPRING	1	1						W
		(A=FXXXXXX) (B=FXXXXXX)									
36	1	1W1359-94030	GASKET	1	1						
37	1	1W1995-13520	INSULATOR	1	1						
38	1	22137-050000	WASHER, 5	2	2						
39	1	1W0107-09010	BOLT;M5X25	2	2						
40	1	1W1359-94040	GASKET	1	1						
41	1	1W1301-04310	CARBURETOR ASS'Y	1	1						
41-1	1	1W1301-04311	CARBURETOR ASS'Y	1	1						N
		(A=FXXXXXX) (B=FXXXXXX)									
42	2	1W1301-53210	VALVE,FLOAT	1	1						
43	2	1W1301-23350	GASKET	1	1						
44	2	1W1302-83357	DIAPHRAGM,METERING	1	1						
45	2	1W1305-13409	DIAPHRAGM,PUMP	1	1						
46	2	1W1305-13413	GASKET	1	1						
47	2	1W1981-13900	RUBBER	1	1						
47A	2	1W1302-83355	SHAFT,THROTTLE	1	1						W
		(A=FXXXXXX) (B=FXXXXXX)									
47B	2	1W1302-83356	PIECE,SET	1	1						W
		(A=FXXXXXX) (B=FXXXXXX)									
47C	2	1W0368-00004	SNAP RING	1	1						W
		(A=FXXXXXX) (B=FXXXXXX)									
47D	2	1W1302-13500	SPRING	1	1						W
		(A=FXXXXXX) (B=FXXXXXX)									
47E	2	1W1302-73430	VALVE,THROTTLE	1	1						W
		(A=FXXXXXX) (B=FXXXXXX)									
47F	2	1W1301-83210	SCREW	1	1						W
		(A=FXXXXXX) (B=FXXXXXX)									
47G	2	1W1305-13414	BASE ASSY,PRIMER	1	1						W
		(A=FXXXXXX) (B=FXXXXXX)									
47H	2	1W1305-13412	PLATE	1	1						W
		(A=FXXXXXX) (B=FXXXXXX)									
47J	2	1W1301-83490	SCREW	1	1						W
		(A=FXXXXXX) (B=FXXXXXX)									
47K	2	1W1302-13460	SPRING	1	1						W
		(A=FXXXXXX) (B=FXXXXXX)									
47L	2	1W1302-83296	PIN,FLORT	1	1						W
		(A=FXXXXXX) (B=FXXXXXX)									
47M	2	1W1302-83318	ARM,FLORT	1	1						W
		(A=FXXXXXX) (B=FXXXXXX)									
47N	2	1W1301-83240	SCREW	1	1						W
		(A=FXXXXXX) (B=FXXXXXX)									
47P	2	1W1302-83298	COVER,DIAPHRAGM	1	1						W
		(A=FXXXXXX) (B=FXXXXXX)									
47Q	2	1W1301-93390	VALVE,MAIN NEEDLE	1	1						W

Fig.11. ENGINE UNIT (YBE455B)

(A)=YBE455B(CE)
(B)=YBE455B(BR)
(C)=

(D)=
(E)=
(F)=

11. ENGINE UNIT (YBE455B)

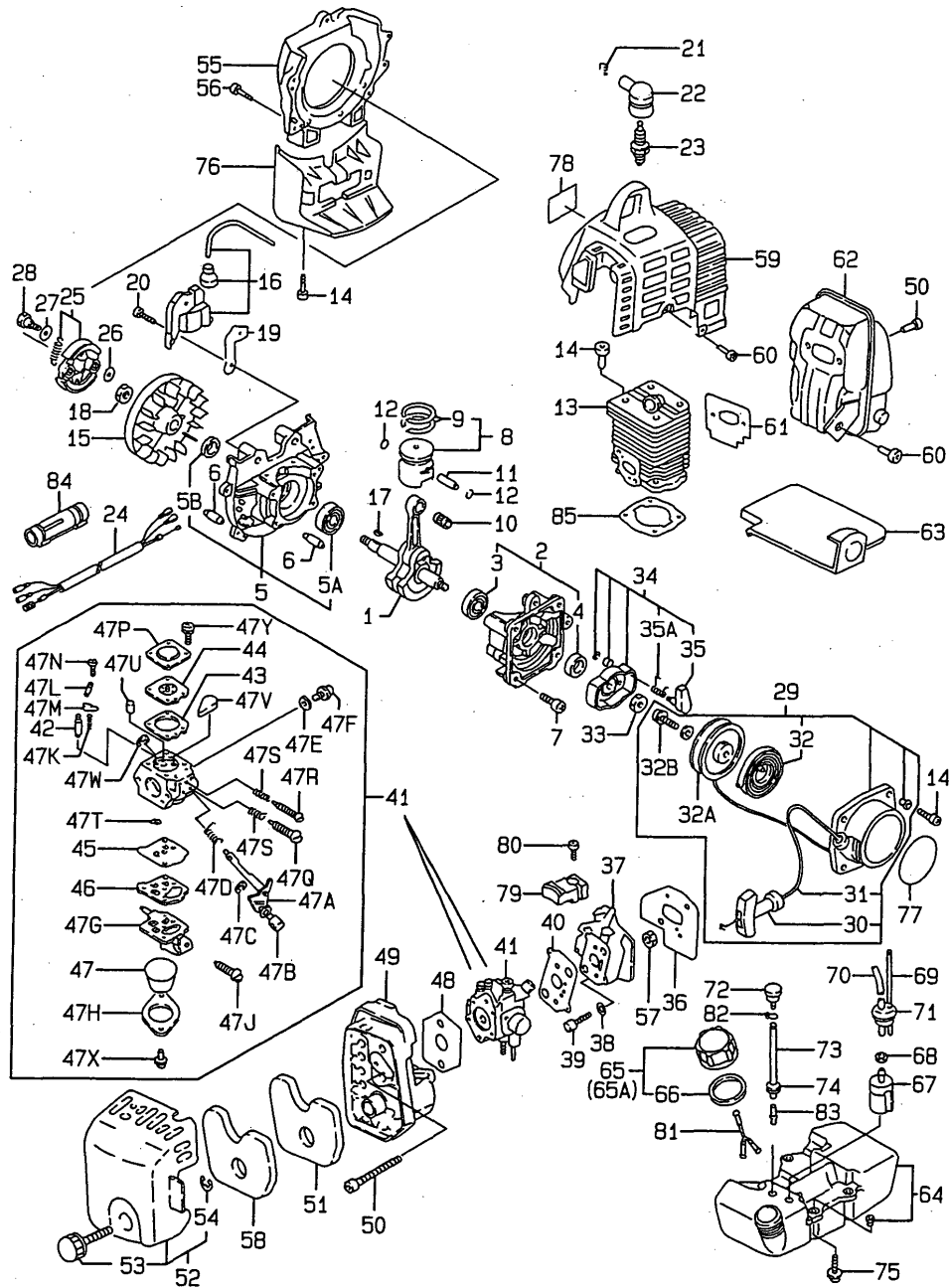


N126282

No.	Lev.	Parts No.	Description	Q'ty						I	R
				(A)	(B)	(C)	(D)	(E)	(F)		
		(A=FXXXXXX) (B=FXXXXXX)									
47R	2	1W1301-93400	VALVE, IDLE NEEDLE	1	1						W
		(A=FXXXXXX) (B=FXXXXXX)									
47S	2	1W1302-13470	SPRING	2	2						W
		(A=FXXXXXX) (B=FXXXXXX)									
47T	2	1W1302-83299	NET	1	1						W
		(A=FXXXXXX) (B=FXXXXXX)									
47U	2	1W1301-73230	NOZZLE, MAIN	1	1						W
		(A=FXXXXXX) (B=FXXXXXX)									
47V	2	1W1302-83359	WELCH, PLUG	1	1						W
		(A=FXXXXXX) (B=FXXXXXX)									
47W	2	1W1302-83294	CLIP	1	1						W
		(A=FXXXXXX) (B=FXXXXXX)									
47X	2	1W1301-83440	SCREW	1	1						W
		(A=FXXXXXX) (B=FXXXXXX)									
47Y	2	1W1301-83250	SCREW	1	1						W
		(A=FXXXXXX) (B=FXXXXXX)									
48	1	1W1359-93430	GASKET	1	1						
49	1	1W1357-13372	CASE COMPL	1	1						
49-1	1	1W1357-13373	CASE COMPL	1	1						N
		(A=FXXXXXX) (B=FXXXXXX)									
50	1	1W0107-09040	BOLT; M5X58	4	4						
51	1	1W1352-63380	ELEMENT	1	1						
52	1	1W1357-13392	CASE COMPL, CAP	1	1						
52-1	1	1W1357-13393	CASE COMPL, CAP	1	1						N
		(A=FXXXXXX) (B=FXXXXXX)									
53	2	1W1994-33090	BOLT	1	1						
54	2	22272-000050	RING, E-5	1	1						Z
		(A=FXXXXXX) (B=FXXXXXX)									
55	1	1W1751-14350	HOUSING, BLOWER	1	1						
55-1	1	1W1751-14351	HOUSING, BLOWER	1	1						F 1
		(A=FXXXXXX) (B=FXXXXXX)									
56	1	1W0107-09009	BOLT; M5X20	4	4						
57	1	1W0201-00005	NUT	2	2						
58	1	1W1352-63370	ELEMENT(A)	1	1						
59	1	1W1751-53700	COWLING	1	1						
60	1	1W0107-09006	BOLT; M5X12	5	5						
61	1	1W1359-94050	GASKET	1	1						
62	1	1W1354-03560	MUFFLER	1	1						
62-1	1	1W1354-03563	MUFFLER	1	1						N
		(A=FXXXXXX) (B=FXXXXXX)									
63	1	1W1354-33640	PLATE, BAFFLE	1	1						
64	1	1W1601-03260	TANK, FUEL	1	1						
65	1	1W1600-33210	CAP ASS'Y, FUEL TANK		1						
65A	1	1W1600-33200	CAP ASS'Y, FUEL TANK	1							
66	2	1W1609-93100	GASKET	1	1						
67	1	1W1303-03290	FILTER, FUEL	1	1						
68	1	1W1983-43181	CLIP	1	1						
69	1	1W0682-09128	HOSE	1	1						
70	1	1W0682-09150	HOSE	1	1						
71	1	1W1981-13850	RUBBER	1	1						

Fig.11. ENGINE UNIT (YBE455B)

11. ENGINE UNIT (YBE455B)



N126282

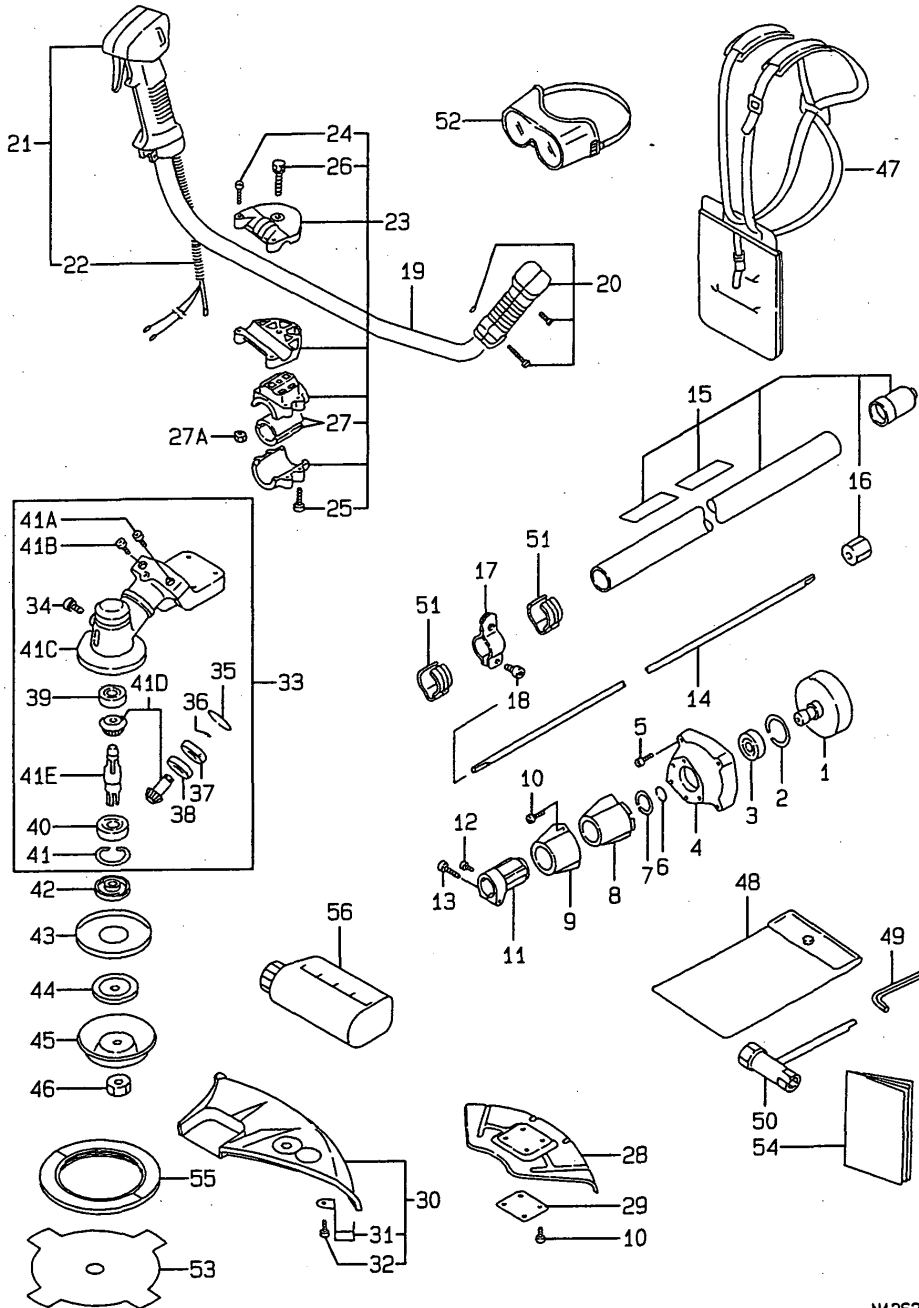
(A)=YBE455B(CE)
(B)=YBE455B(BR)
(C)=

(D)=
(E)=
(F)=

No.	Lev.	Parts No.	Description	Q'ty						I	R
				(A)	(B)	(C)	(D)	(E)	(F)		
71-1	1	1W1981-13730 (A=FXXXXXX) (B=FXXXXXX)	RUBBER	1	1						N
72	1	1W1600-43120	VALVE ASS'Y,REVERSIN	1	1						
73	1	1W0682-09174	HOSE	1	1						
74	1	1W1981-13560	RUBBER	1	1						
75	1	1W0107-09017	BOLT;M5X14	4	4						
76	1	1W1759-73371	STAY,STAND	1	1						
77	1	1W1902-83990	PLATE,NAME	1	1						
78	1	1W1903-33250	MARK,TRADE	1	1						
79	1	1W1255-43090	ADJUSTER	1	1						
80	1	1W0107-09015	BOLT;M4X12	1	1						
81	1	1W1601-73030	HANGER	1	1						
82	1	1W1983-43060	CLIP	1	1						
83	1	1W1984-83100	CONNECTOR	1	1						
84	1	1W1256-83060	HOLDER,WIRE	1	1						
84-1	1	1W1256-83061 (A=FXXXXXX) (B=FXXXXXX)	HOLDER	1	1						N
85	1	1W1109-93430	GASKET	1	1						

Fig.12. BRUSH CUTER (YBE455B)

12. BRUSH CUTER (YBE455B)

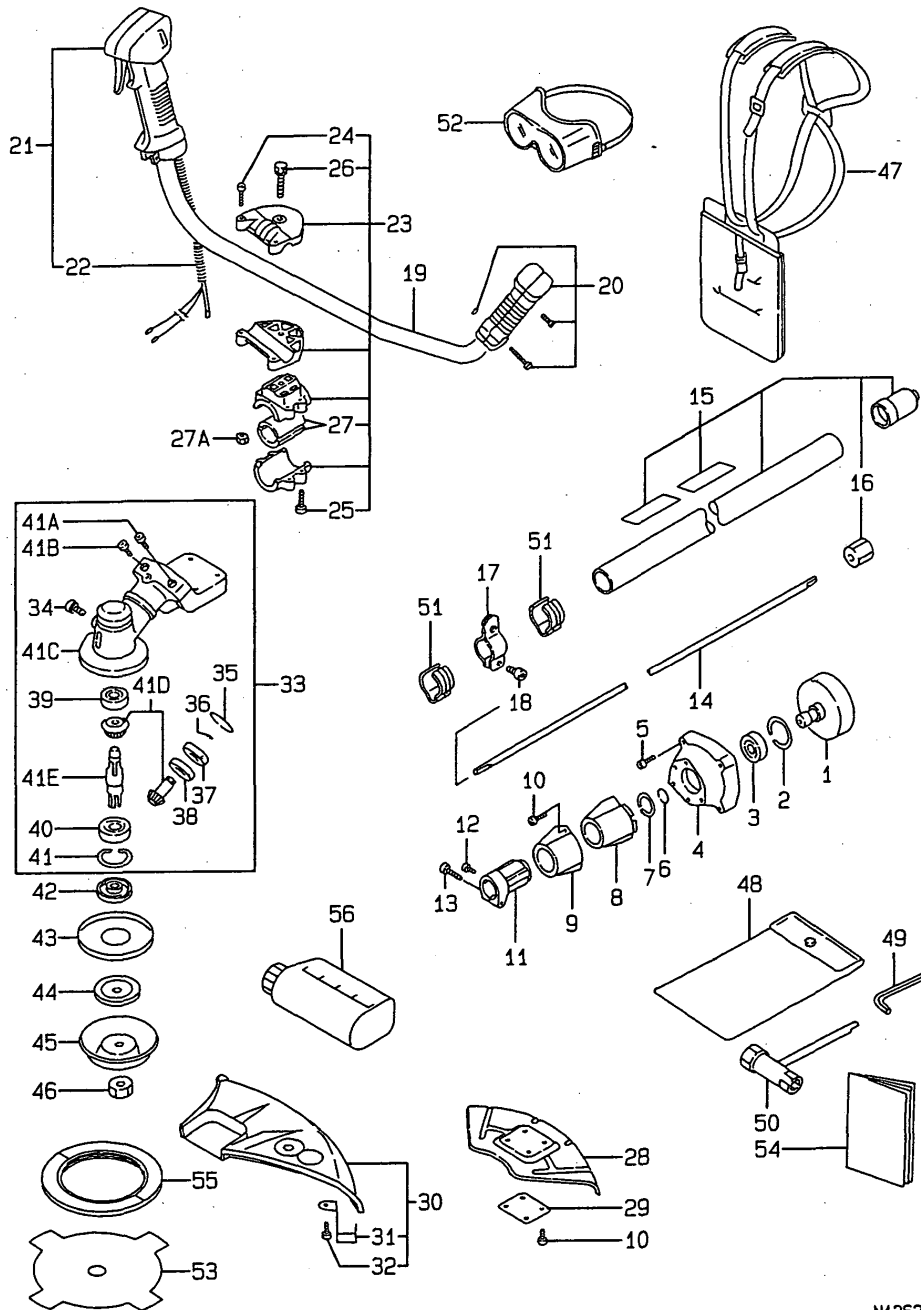


No.	Lev.	Parts No.	Description	Q'ty						I	R
				(A)	(B)	(C)	(D)	(E)	(F)		
1	1	1W7205-23240	DRUM,CLUTCH	1	1						
2	1	22252-000400	RING, 40	1	1						
3	1	24107-062034	BEARING, BALL 6203ZZ	1	1						
4	1	1W7205-13530	HOUSING,CLUTCH	1	1						
5	1	1W7209-73179	BOLT;M6X30	4	4						
6	1	22242-000170	RING, 17	1	1						
7	1	1W7209-73716	SNAP RING;S-32	1	1						
8	1	1W7207-13190	RUBBER,HOUSING	1	1						
9	1	1W7205-13540	CASE	1	1						
10	1	1W0107-09009	BOLT;M5X20	9	9						
11	1	1W7207-23250	COLLAR	1	1						
12	1	1W7209-73175	BOLT;M5X10	1	1						
13	1	1W7209-73183	BOLT;M6X18	1	1						
14	1	1W7201-13460	SHAFT,DRIVE	1	1						
15	1	1W7201-24380	PIPE COMPL	1	1						
16	2	1W7201-33300	METAL	6	6						
17	1	1W7202-03260	HANGER COMPL	1	1						
18	1	1W7209-73178	BOLT;M6X14	1	1						
19	1	1W7206-13370	HANDLE	1	1						
20	1	1W7206-23520	GRIP ASS'Y	1	1						
21	1	1W1250-34060	LEVER ASS'Y,THROTTLE	1	1						
22	2	1W1255-04650	WIRE,THROTTLE	1	1						
23	1	1W7200-63320	HOLDER ASS'Y,HANDLE	1	1						
24	2	1W7209-73184	BOLT;M6X26	2	2						
25	2	1W7209-73179	BOLT;M6X30	4	4						
26	2	1W7209-73717	BOLT;M8X45	1	1						
27	2	1W7207-13210	RUBBER	2	2						
27A	1	1W0201-00008	NUT	4	4						
28	1	1W7204-63400	DEFLECTOR	1	1						
29	1	1W7204-73180	PLATE	1	1						
30	1	1W7200-43500	DEFLECTOR ASS'Y	1	1						
30-1	1	1W7200-43501	DEFLECTOR ASSY	1	1						N
		(A=F001111) (B=F001111)									
31	2	1W7204-93050	CUTTER	1	1						
31-1	2	1W7204-93060	CUTTER	1	1						S
		(A=F001111) (B=F001111)									
32	2	1W0107-09008	BOLT;M5X16	1	1						
33	1	1W7200-23950	CASE ASS'Y,GEAR	1	1						
34	2	1W7209-73663	BOLT;M6X8	1	1						
35	2	22252-000280	RING, 28	1	1						
36	2	22242-000150	RING, 15	1	1						
37	2	1W7209-73718	BALL BEARING;6902ZZ	1	1						
38	2	1W7209-73719	BALL BEARING;6902	1	1						
39	2	24101-060004	BEARING, BALL 6000	1	1						
40	2	24104-060024	BEARING, BALL 6002UU	1	1						
41	2	22252-000320	RING, 32	1	1						
41A	2	1W0107-09009	BOLT;M5X20	1	1						
41B	2	1W7209-73175	BOLT;M5X10	1	1						
41C	2	1W7202-63680	CASE,GEAR	1	1						W
		(A=FXXXXXXX) (B=FXXXXXXX)									
41D	2	1W7202-73840	GEAR ASSY	1	1						W

N126283

Fig.12. BRUSH CUTER (YBE455B)

12. BRUSH CUTER (YBE455B)



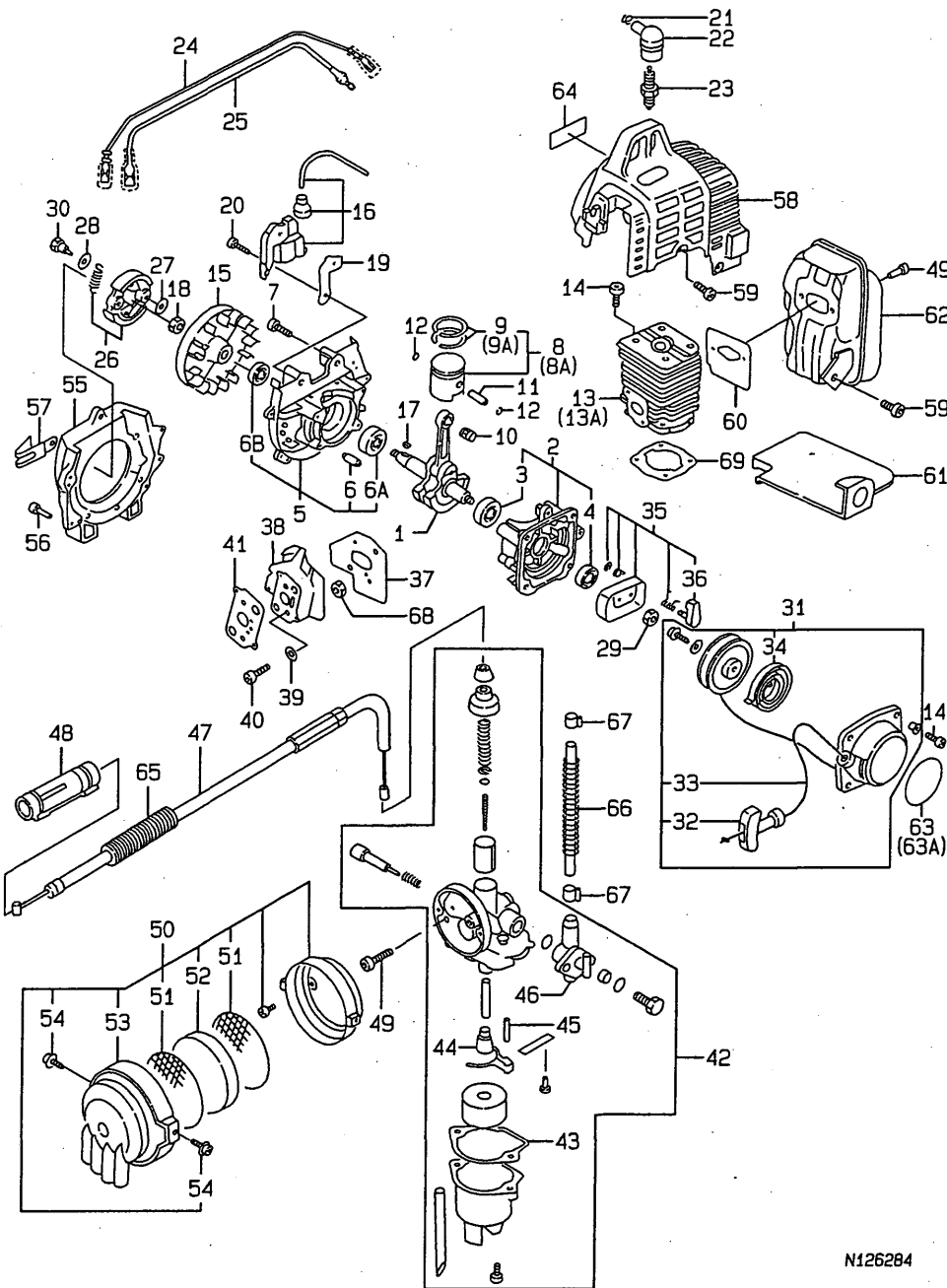
(A)=YBE455B(CE)
(B)=YBE455B(BR)
(C)=

(D)=
(E)=
(F)=

No.	Lev.	Parts No.	Description	Qty						I	R	
				(A)	(B)	(C)	(D)	(E)	(F)			
41E	2	1W7202-93390	GEAR SHAFT	1	1							W
42	1	1W7203-33760	HOLDER	1	1							
43	1	1W7203-43670	COVER(B)	1	1							
43-1	1	1W7203-43890	COVER(B)	1	1							N
44	1	1W7203-33770	HOLDER	1	1							
44-1	1	1W7203-34020	HOLDER	1	1							F 1
45	1	1W7203-43790	COVER,NUT	1	1							
45-1	1	1W7203-43940	COVER,NUT	1	1							F 1
46	1	1W7203-73150	NUT	1	1							
46-1	1	1W7203-73151	NUT	1	1							N
47	1	1W7208-53520	BAND COMPL,SHOULDER	1	1							
47-1	1	1W7208-53550	BAND,COMPL.,SHOULDER	1	1							N
48	1	1W7209-83420	BAG,TOOL	1	1							
49	1	28150-040000	WRENCH, BAR 4	1	1							
50	1	1W7209-83530	SPANNER,BOX,13X19	1	1							
51	1	1W1991-13160	CLAMP	2	2							
52	1	1W1956-33000	GOGGLE	1	1							
52-1	1	1W1956-33040	GOGGLE	1	1							N
53	1	1W1958-33150	SAW,4 TOOTH	1	1							
54	1	1W1008-14090	INSTRUCTION MANUAL	1	1							
55	1	1W7209-13052	COVER,BLADE	1	1							
55-1	1	1W7209-13053	COVER,BLADE	1	1							N
56	1	1W1952-43010	MIXER ASS'Y		1							

Fig.13. ENGINE UNIT (YBE405RL/455RL)

13. ENGINE UNIT (YBE405RL/455RL)



N126284

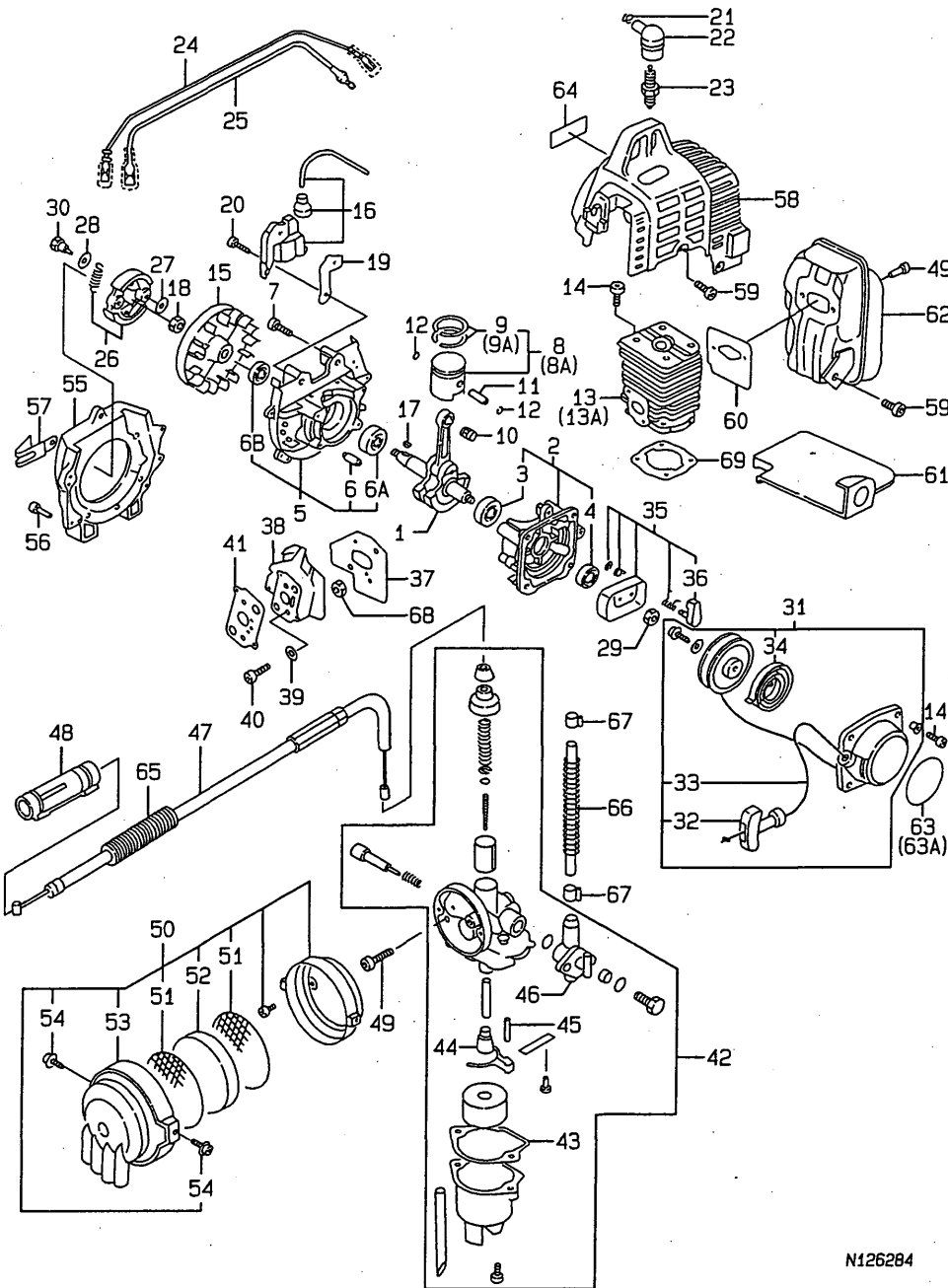
(A)=YBE405RL(CE)
 (B)=YBE455RL(CE)
 (C)=YBE455RL(BR)

(D)=
 (E)=
 (F)=

No.	Lev.	Parts No.	Description	Q'ty						I	R
				(A)	(B)	(C)	(D)	(E)	(F)		
1	1	1W1152-53480	CRANKSHAFT	1	1	1					
2	1	1W1100-35210	CRANKCASE ASS'Y	1	1	1					
3	2	24101-062024	BEARING, BALL 6202	1	1	1					
4	2	1W0502-09077	SEAL, OIL	1	1	1					
5	1	1W1100-35220	CRANKCASE ASS'Y	1	1	1					
6	2	1W0305-00512	DOWEL PIN	2	2	2					
6A	2	24101-062024	BEARING, BALL 6202	1	1	1					
6B	2	1W0502-09077	SEAL, OIL	1	1	1					
7	1	1W0107-09011	BOLT;M5X30	4	4	4					
8	1	1W1150-13320	PISTON ASS'Y	1							
8A	1	1W1150-13330	PISTON ASS'Y		1	1					
9	2	1W1151-15700	RING,PISTON		2	2					
9A	2	1W1151-15710	RING,PISTON	2							
10	1	1W0427-09006	NEEDLE BEARING	1	1	1					
11	1	1W1153-23030	PIN,PISTON	1	1	1					
12	1	1W1983-43040	CLIP,PISTON PIN	2	2	2					
13	1	1W1102-13600	CYLINDER		1	1					
13A	1	1W1102-13580	CYLINDER	1							
14	1	1W0107-09008	BOLT;M5X16	9	9	9					
15	1	1W1501-03490	FLYWHEEL	1	1	1					
16	1	1W1500-53340	COIL ASS'Y,IGNITION	1	1	1					
17	1	1W0343-09031	KEY	1	1	1					
18	1	26377-100002	NUT, M10	1	1	1					
19	1	1W1995-13451	INSULATOR	1	1	1					
20	1	1W0107-09018	BOLT;M4X20	2	2	2					
21	1	1W1982-13300	SPRING	1	1	1					
22	1	1W1504-13033	CAP,PLUG	1	1	1					
23	1	1W1502-65091	PLUG,SPARK	1	1	1					
24	1	1W1856-03340	HARNESS,WIRE	1	1	1					
25	1	1W1856-03350	HARNESS,WIRE	1	1	1					
26	1	1W1700-33241	CLUTCH ASS'Y	1	1	1					
27	1	1W1992-13071	SPACER	2	2	2					
28	1	1W1992-13180	SPACER	2	2	2					
29	1	26797-080002	NUT, LOCK M8	1	1	1					
30	1	1W1994-33082	BOLT	2	2	2					
31	1	1W1551-03480	RECOIL ASS'Y	1	1	1					
32	2	1W1552-23050	KNOB,STARTER	1	1	1					
33	2	1W1552-13140	ROPE,STARTER	1	1	1					
34	2	1W1552-63280	SPRING,SPIRAL	1	1	1					
35	1	1W1553-53100	PULLEY,STARTER	1	1	1					
36	2	1W1551-63080	RATCHET	1	1	1					
37	1	1W1359-94030	GASKET	1	1	1					
38	1	1W1995-13560	INSULATOR	1	1	1					
39	1	22137-050000	WASHER, 5	2	2	2					
40	1	1W0107-09010	BOLT;M5X25	2	2	2					
41	1	1W1359-94070	GASKET	1	1	1					
42	1	1W1301-04320	CARBURETOR ASS'Y	1	1	1					
43	2	1W1301-23360	GASKET	1	1	1					
44	2	1W1302-83360	ARM,FLOAT	1	1	1					
45	2	1W1301-53230	VALVE,FLOAT	1	1	1					
46	2	1W1987-33070	COCK,FUEL	1	1	1					

Fig.13. ENGINE UNIT (YBE405RL/455RL)

13. ENGINE UNIT (YBE405RL/455RL)



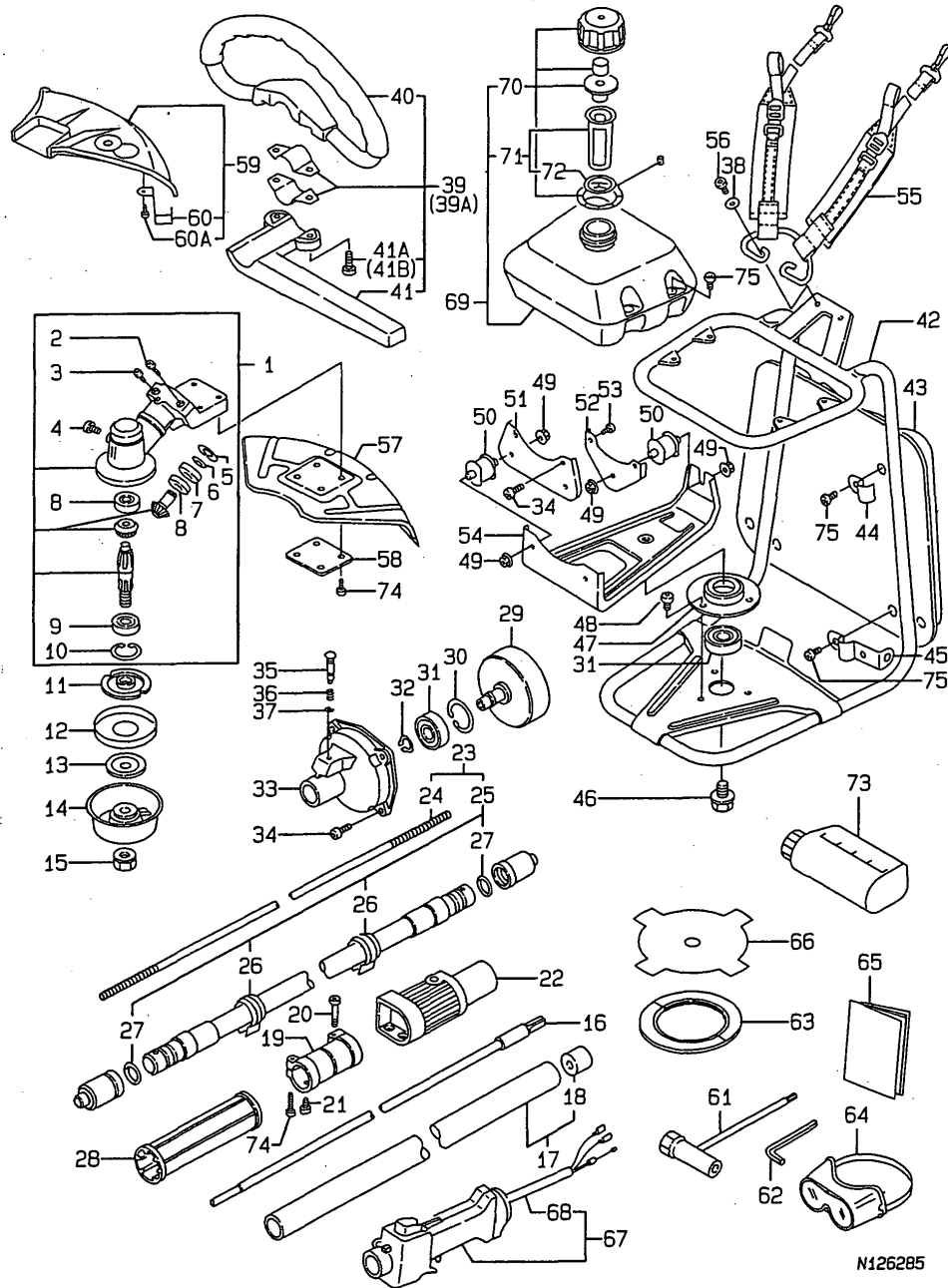
N126284

(A)=YBE405RL(CE)
 (B)=YBE455RL(CE)
 (C)=YBE455RL(BR)
 (D)=
 (E)=
 (F)=

No.	Lev.	Parts No.	Description	Qty						I	R
				(A)	(B)	(C)	(D)	(E)	(F)		
47	1	1W1255-04590	WIRE COMPL,THROTTLE	1	1	1					
48	1	1W1256-83060	HOLDER,WIRE	1	1	1					
49	1	1W0107-09040	BOLT;M5X58	4	4	4					
50	1	1W1350-73050	SILENCER ASS'Y,AIR	1	1	1					
51	2	1W1351-13000	NET	2	2	2					
52	2	1W1352-63010	ELEMENT	1	1	1					
53	2	1W1351-63020	CASE	1	1	1					
54	2	1W1353-23070	SCREW	2	2	2					
55	1	1W1751-14350	HOUSING,BLOWER	1	1	1					
56	1	1W0107-09009	BOLT;M5X20	4	4	4					
57	1	1W1991-13060	CLAMP	1	1	1					
58	1	1W1751-53720	COWLING	1	1	1					
59	1	1W0107-09006	BOLT;M5X12	5	5	5					
60	1	1W1359-94050	GASKET	1	1	1					
61	1	1W1354-33640	PLATE,BAFFLE	1	1	1					
62	1	1W1354-03570	MUFFLER	1	1	1					
63	1	1W1902-83510	PLATE,NAME	1							
63A	1	1W1902-83990	PLATE,NAME		1	1					
64	1	1W1903-33250	MARK,TRADE	1	1	1					
65	1	1W1858-43137	HOSE	1	1	1					
66	1	1W0682-19001	HOSE	1	1	1					
67	1	1W0672-00115	HOSE CLIP	2	2	2					
68	1	1W0201-00005	NUT	2	2	2					
69	1	1W1109-93430	GASKET	1	1	1					

Fig.14. BRUSH CUTER (YBE405RL/455RL)

14. BRUSH CUTER (YBE405RL/455RL)



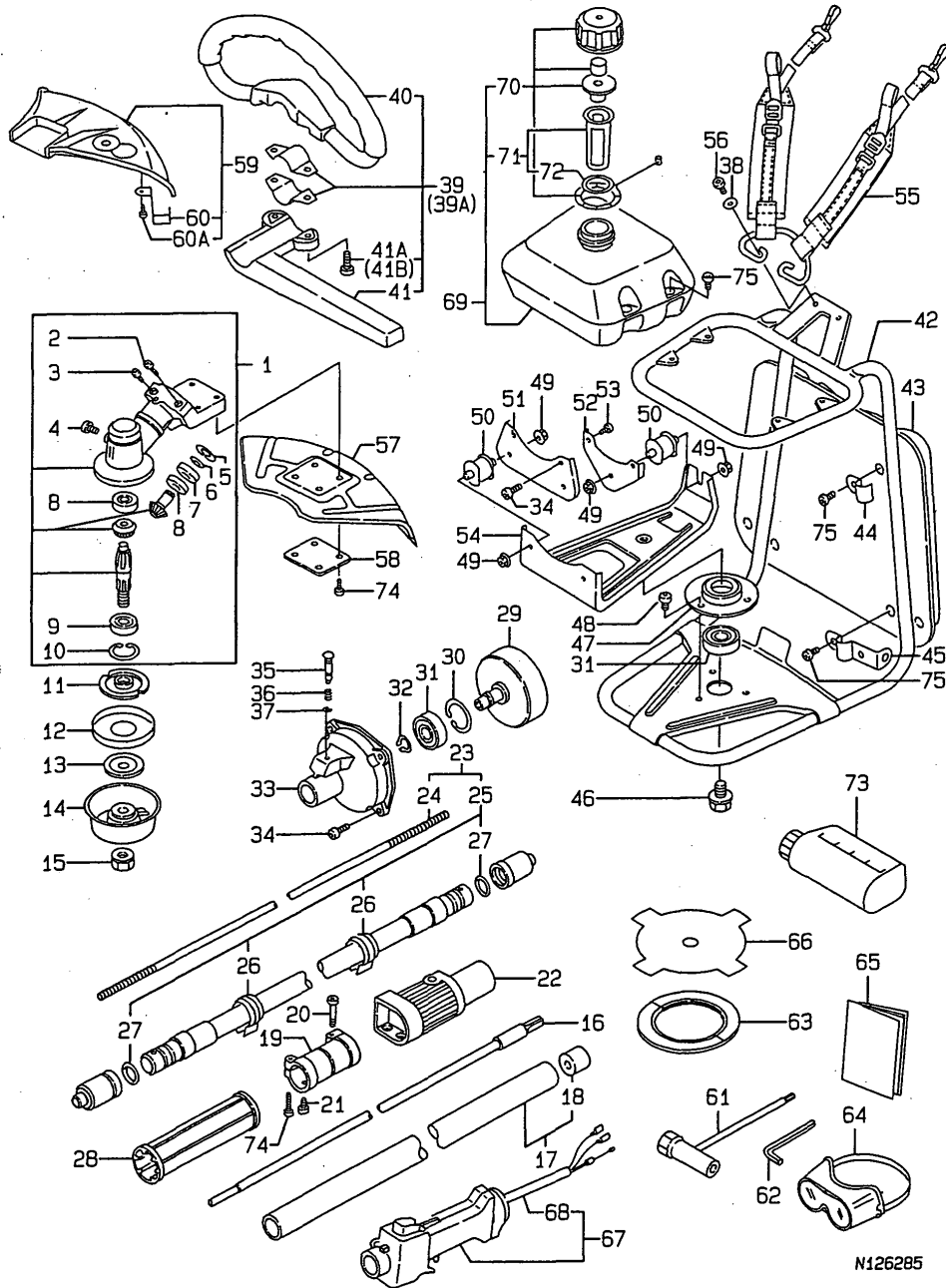
(A)=YBE405RL(CE)
 (B)=YBE455RL(CE)
 (C)=YBE455RL(BR)

(D)=
 (E)=
 (F)=

No.	Lev.	Parts No.	Description	Q'ty						I	R
				(A)	(B)	(C)	(D)	(E)	(F)		
1	1	1W7200-23940	CASE ASS'Y,GEAR	1	1	1					
2	2	1W0107-09009	BOLT;M5X20	2	2	2					
3	2	1W7209-73175	BOLT;M5X10	1	1	1					
4	2	1W7209-73663	BOLT;M6X8	1	1	1					
5	2	22252-000260	RING, 26	1	1	1					
6	2	22242-000100	RING, 10	1	1	1					
7	2	24107-060004	BEARING, BALL 6000ZZ	1	1	1					
8	2	24101-060004	BEARING, BALL 6000	2	2	2					
9	2	24104-060014	BEARING, BALL 6001UU	1	1	1					
10	2	22252-000280	RING, 28	1	1	1					
11	1	1W7203-33630	HOLDER	1	1	1					
12	1	1W7203-43670	COVER(B)	1	1	1					
13	1	1W7203-33610	HOLDER	1	1	1					
14	1	1W7203-43780	COVER,NUT	1	1	1					
15	1	1W7209-73715	NUT	1	1	1					
16	1	1W7201-13480	SHAFT,DRIVE	1	1	1					
17	1	1W7201-24400	PIPE COMPL	1	1	1					
18	2	1W7201-33061	METAL	8	8	8					
19	1	1W7203-83120	CASE,JOINT	1	1	1					
20	1	1W7209-73728	BOLT;M5X30	1	1	1					
21	1	1W7209-73673	BOLT;M5X8	1	1	1					
22	1	1W7203-43810	COVER,JOINT	1	1	1					
23	1	1W7208-80110	SHAFT ASS'Y,FLEXIBLE	1	1	1					
24	2	1W7201-13490	SHAFT,FLEXIBLE	1	1	1					
25	2	1W7208-90130	LINER,FLEXIBLE	1	1	1					
26	3	1W1991-13170	CLAMP	2	2	2					
27	3	1W7209-73698	O-RING	2	2	2					
28	1	1W7207-23240	COLLAR	1	1						
29	1	1W7205-23260	DRUM,CLUTCH	1	1	1					
30	1	22252-000350	RING, 35	1	1	1					
31	1	24107-062024	BEARING, BALL 6202ZZ	2	2	2					
32	1	22242-000150	RING, 15	1	1	1					
33	1	1W7205-13560	HOUSING,CLUTCH	1	1	1					
34	2	1W7209-73183	BOLT;M6X18	6	6	6					
35	1	1W7209-73729	PIN,JOINT	1	1	1					
36	1	1W7204-23100	SPRING	1	1	1					
37	1	22272-000040	RING, E- 4	1	1	1					
38	1	22137-060000	WASHER, 6	2	2	2					
39	1	1W7200-53740	HANDLE ASS'Y	1	1						
39A	1	1W7200-53750	HANDLE ASS'Y							1	
40	2	1W7206-13320	HANDLE	1	1	1					
41	2	1W7202-43030	BAR,HANDLE	1	1						
41A	2	1W7209-73183	BOLT;M6X18	2	2						
41B	2	1W7209-73177	BOLT;M6X12							2	
42	1	1W7208-70100	FRAME COMPL	1	1	1					
43	1	1W7202-23100	CUSHION	1	1	1					
44	1	1W7204-73300	STAY	2	2	2					
45	1	1W7204-73341	STAY	2	2	2					
46	1	1W7209-73691	BOLT;M10X20	1	1	1					
47	1	1W7201-63070	HOLDER,BEARING	1	1	1					
48	1	1W7209-73643	BOLT;M6X10	3	3	3					

Fig.14. BRUSH CUTER (YBE405RL/455RL)

14. BRUSH CUTER (YBE405RL/455RL)



N126285

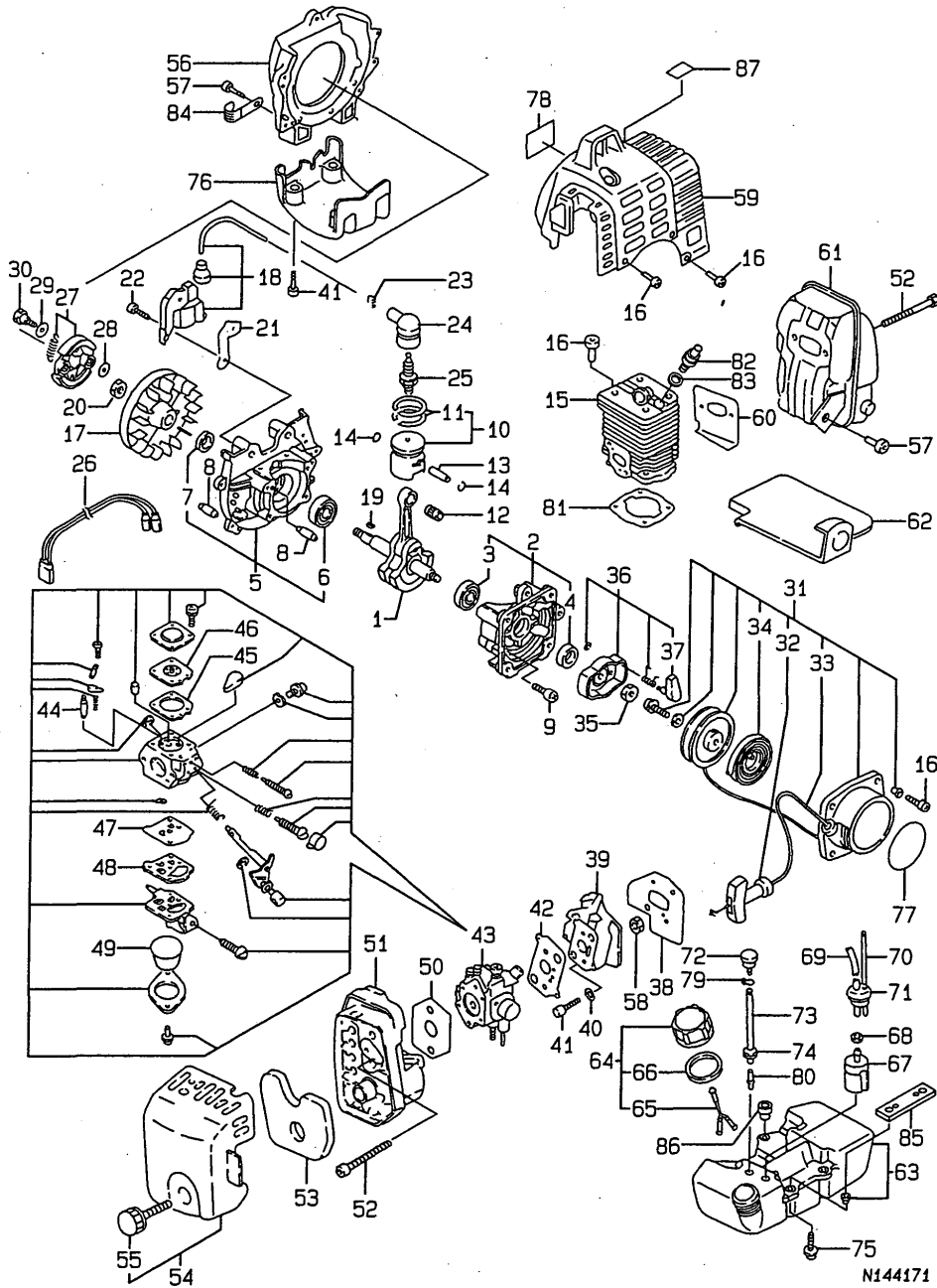
(A)=YBE405RL(CE)
(B)=YBE455RL(CE)
(C)=YBE455RL(BR)

(D)=
(E)=
(F)=

No.	Lev.	Parts No.	Description	Qty						I	R
				(A)	(B)	(C)	(D)	(E)	(F)		
49	1	26367-060002	NUT, M6	6	6	6					
50	1	1W7207-03030	RUBBER COMPL	3	3	3					
51	1	1W7204-73720	STAY	1	1	1					
52	1	1W7204-73730	STAY	1	1	1					
53	1	1W0107-09008	BOLT;M5X16	2	2	2					
54	1	1W7204-73740	STAY,ENGINE	1	1	1					
55	1	1W7208-53430	BAND COMPL,SHOULDER	1	1	1					
56	1	1W7209-73177	BOLT;M6X12	2	2	2					
57	1	1W7204-63400	DEFLECTOR	1	1	1					
58	1	1W7204-73180	PLATE	1	1	1					
59	1	1W7200-43500	DEFLECTOR ASS'Y	1	1						
60	2	1W7204-93050	CUTTER	1	1						
60A	2	1W0107-09008	BOLT;M5X16	1	1						
61	1	1W7209-83371	SPANNER,BOX	1	1	1					
62	1	28150-040000	WRENCH, BAR 4	1	1	1					
63	1	1W7209-13052	COVER,BLADE	1	1						
64	1	1W1956-33000	GOGGLE	1	1	1					
65	1	1W1008-14090	INSTRUCTION MANUAL	1	1						
66	1	1W1958-33150	SAW,4 TOOTH	1	1	1					
67	1	1W1250-34080	LEVER ASS'Y,THROTTLE	1	1	1					
68	2	1W1255-04710	WIRE,THROTTLE	1	1	1					
69	1	1W1600-13800	TANK ASS'Y,FUEL	1	1	1					
70	2	1W1600-33230	CAP ASS'Y,FUEL TANK	1	1	1					
71	2	1W1303-43140	FILTER,FUEL	1	1	1					
72	3	1W1609-93110	GASKET	1	1	1					
73	1	1W1952-43010	MIXER ASS'Y							1	
74	1	1W0107-09009	BOLT;M5X20	5	5	5					
75	1	1W7209-73175	BOLT;M5X10	10	10	10					

Fig.15. ENGINE UNIT (YBE575B)

15. ENGINE UNIT (YBE575B)



N144171

(A)=YBE575B-CE

(B)=

(C)=

(D)=

(E)=

(F)=

No.	Lev.	Parts No.	Description	Q'ty						I	R
				(A)	(B)	(C)	(D)	(E)	(F)		
1	1	1W1152-53481	CRANKSHAFT COMP	1							
2	1	1W1100-35211	CRANKCASE ASS'Y	1							
3	2	24101-062024	BEARING, BALL 6202	1							
4	2	1W0502-09077	SEAL, OIL	1							
5	1	1W1100-35221	CRANKCASE ASS'Y	1							
6	2	24101-062024	BEARING, BALL 6202	1							
7	2	1W0502-09077	SEAL, OIL	1							
8	1	1W0305-00512	DOWEL PIN	2							
9	1	1W0107-09011	BOLT;M5X30	4							
10	1	1W1150-13370	PISTON ASS'Y	1							
11	2	1W1151-15720	RING,PISTON	2							
12	1	1W0427-09006	NEEDLE BEARING	1							
13	1	1W1153-23140	PIN,PISTON	1							
14	1	1W1983-43040	CLIP,PISTON PIN	2							
15	1	1W1102-13660	CYLINDER	1							
16	1	1W0107-09009	BOLT;M5X20	13							
17	1	1W1501-03530	FLYWHEEL	1							
18	1	1W1500-53340	COIL ASS'Y,IGNITION	1							
19	1	1W0343-09031	KEY	1							
20	1	26377-100002	NUT, M10	1							
21	1	1W1995-13451	INSULATOR	1							
22	1	1W0107-09018	BOLT;M4X20	2							
23	1	1W1982-13300	SPRING	1							
24	1	1W1504-13033	CAP,PLUG	1							
25	1	1W1502-65091	PLUG,SPARK	1							
26	1	1W1856-03420	WIRE,THROTTLE	1							
27	1	1W1700-33241	CLUTCH ASS'Y	1							
28	1	1W1992-13071	SPACER	2							
29	1	1W1992-13180	SPACER	2							
30	1	1W1994-33082	BOLT	2							
31	1	1W1551-03481	RECOIL ASS'Y	1							
32	2	1W1552-23050	KNOB,STARTER	1							
33	2	1W1552-13141	ROPE,STARTER	1							
34	2	1W1552-63280	SPRING,SPIRAL	1							
35	1	26797-080002	NUT, LOCK M8	1							
36	1	1W1553-53101	PULLEY,STARTER	1							
37	2	1W1551-63081	RATCHET	1							
38	1	1W1359-94290	GASKET	1							
39	1	1W1995-13520	INSULATOR	1							
40	1	22137-050000	WASHER, 5	2							
41	1	1W0107-09010	BOLT;M5X25	6							
42	1	1W1359-94040	GASKET	1							
43	1	1W1301-04460	CARBURETOR ASS'Y	1							
44	2	1W1301-53210	VALVE,FLOAT	1							
45	2	1W1301-23350	GASKET	1							
46	2	1W1302-83357	DIAPHRAGM,METERING	1							
47	2	1W1305-13409	DIAPHRAGM,PUMP	1							
48	2	1W1305-13413	GASKET	1							
49	2	1W1981-13900	RUBBER	1							
50	1	1W1359-93430	GASKET	1							
51	1	1W1357-13373	CASE COMPL	1							

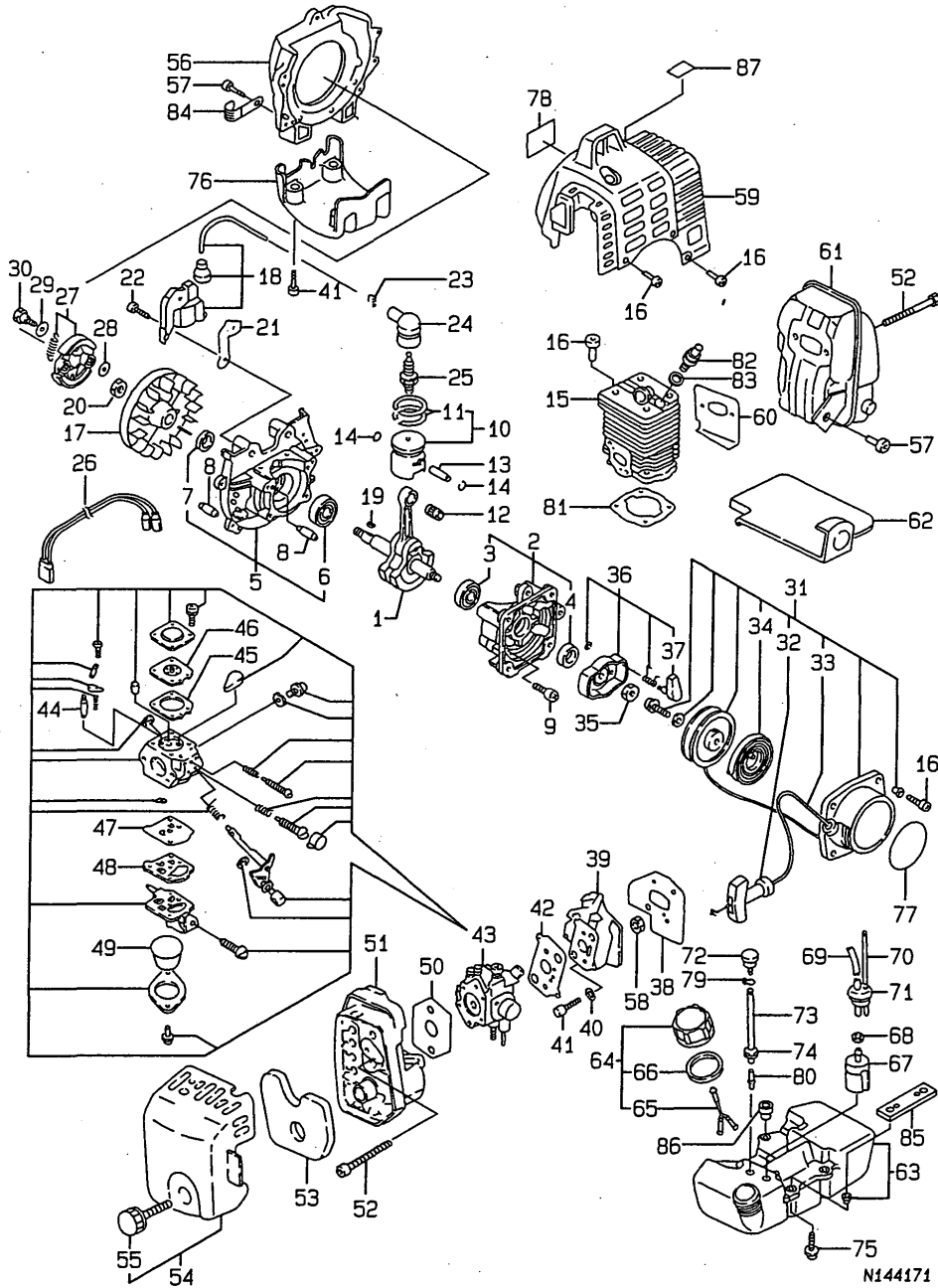
N:Old $\frac{Yes}{No}$ New, Q:Old $\frac{No}{Yes}$ New, R:Old $\frac{Yes}{Yes}$ New, S:Old $\frac{No}{No}$ New, W:Add, Z:Discontinued, F:Interchangeable by set, K:Q'ty Change

++ CONTINUE ++

Copyright (C) YANMAR CO., LTD. All Rights Reserved.

Fig.15. ENGINE UNIT (YBE575B)

15. ENGINE UNIT (YBE575B)



N144171

(A)=YBE575B-CE

(B)=

(C)=

(D)=

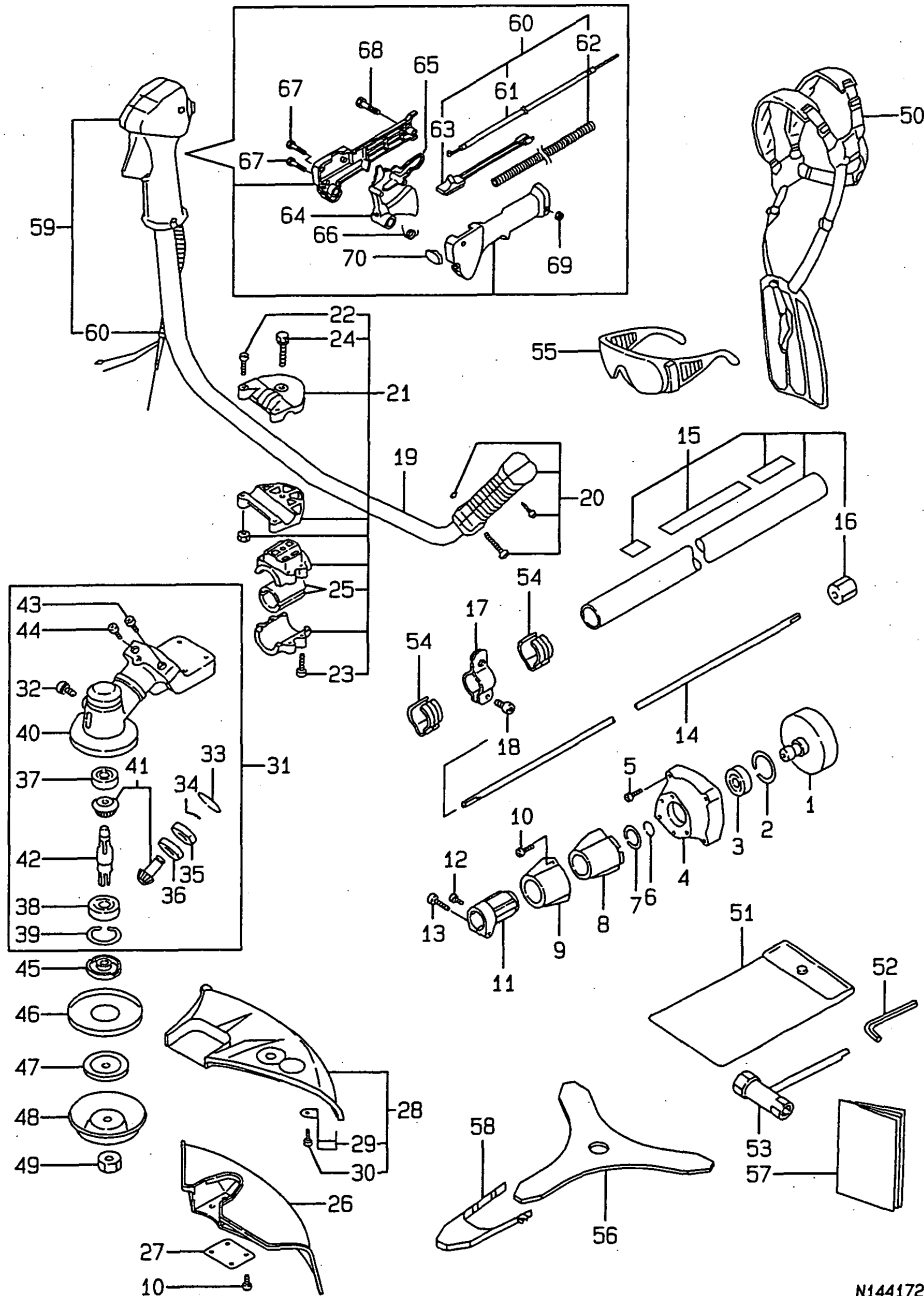
(E)=

(F)=

No.	Lev.	Parts No.	Description	Q'ty						I	R
				(A)	(B)	(C)	(D)	(E)	(F)		
52	1	1W0107-09040	BOLT;M5X58	4							
53	1	1W1352-63440	ELEMENT	1							
54	1	1W1357-13520	CASE COMPL,CAP	1							
55	2	1W1994-33090	BOLT	1							
56	1	1W1751-14351	HOUSING,BLOWER	1							
57	1	1W0107-09006	BOLT;M5X12	3							
58	1	1W0201-00005	NUT	2							
59	1	1W1751-54040	COWLING,CYLINDER	1							
60	1	1W1359-94300	GASKET	1							
61	1	1W1354-03710	MUFFLER,EXHAUST	1							
62	1	1W1354-33640	PLATE,BAFFLE	1							
63	1	1W1601-03340	TANK,FUEL	1							
64	1	1W1600-33210	CAP ASS'Y,FUEL TANK	1							
65	2	1W1601-73030	HANGER	1							
66	2	1W1609-93100	GASKET	1							
67	1	1W1303-03290	FILTER,FUEL	1							
68	1	1W1983-43181	CLIP	1							
69	1	1W0682-09128	HOSE	1							
70	1	1W0682-09150	HOSE	1							
71	1	1W1981-13730	RUBBER	1							
72	1	1W1600-43120	VALVE ASS'Y,REVER SIN	1							
73	1	1W0682-09174	HOSE	1							
74	1	1W1981-13560	RUBBER	1							
75	1	1W0107-09017	BOLT;M5X14	2							
76	1	1W1759-73390	STAY,STAND	1							
77	1	1W1902-85390	PLATE,NAME	1							
78	1	1W1903-33250	MARK,TRADE	1							
79	1	1W1983-43060	CLIP	1							
80	1	1W1984-83100	CONNECTOR	1							
81	1	1W1109-93440	GASKET	1							
82	1	1W1110-53010	VALVE,DECOMPRESSION	1							
83	1	1W1119-93030	GASKET	1							
84	1	1W1991-13060	CLAMP	1							
85	1	1W1609-73050	STAY	1							
86	1	1W1992-33490	COLLAR	1							
87	1	1W1904-63470	MARK SHEET	1							

Fig.16. BRUSH CUTER (YBE575B)

16. BRUSH CUTER (YBE575B)



(A)=YBE575B-CE

(B)=

(C)=

(D)=

(E)=

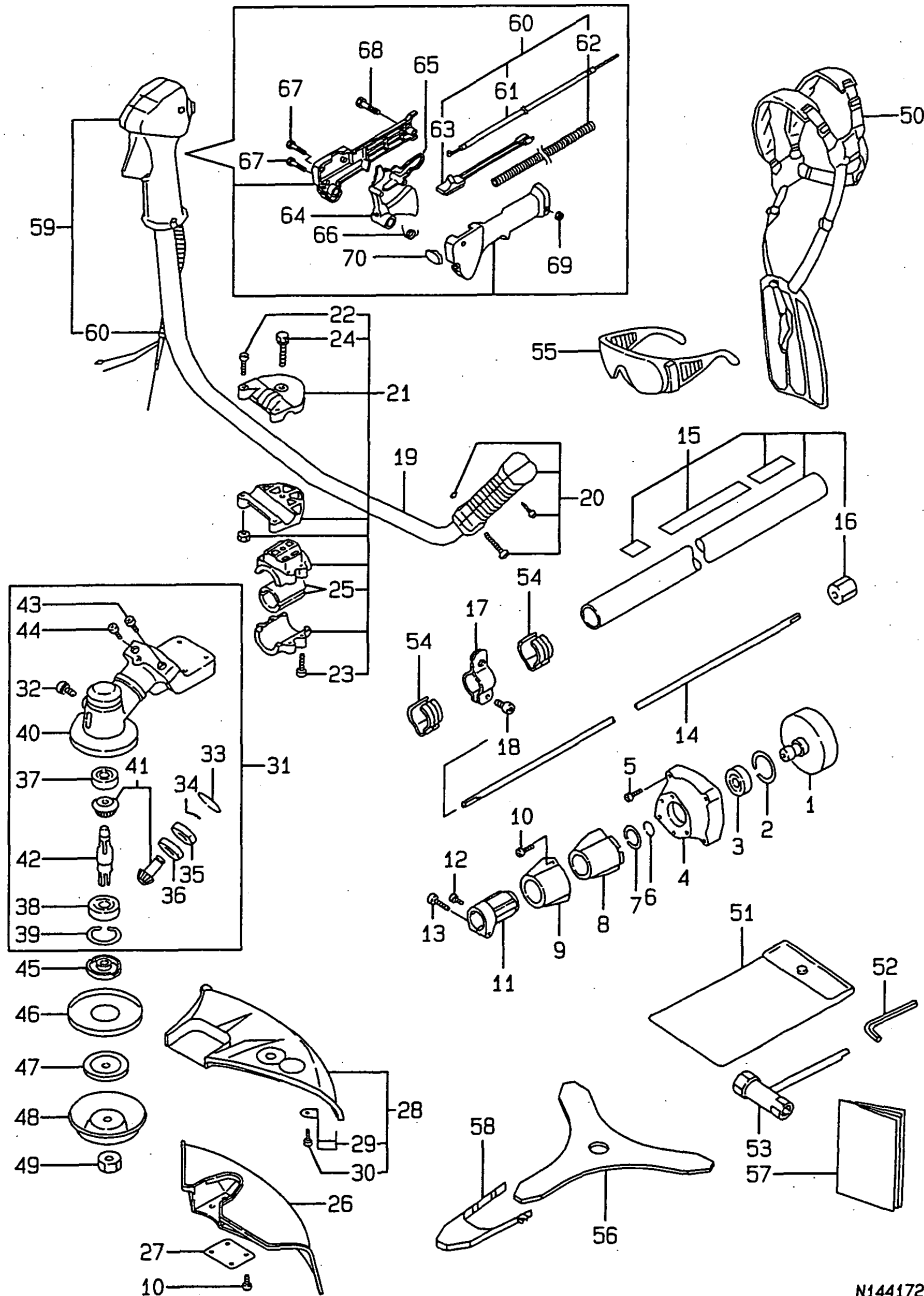
(F)=

No.	Lev.	Parts No.	Description	Q'ty						I	R
				(A)	(B)	(C)	(D)	(E)	(F)		
1	1	1W7205-23390	DRUM,CLUTCH	1							
2	1	22252-000400	RING, 40	1							
3	1	24107-062034	BEARING, BALL 6203ZZ	1							
4	1	1W7205-13530	HOUSING,CLUTCH	1							
5	1	1W7209-73179	BOLT;M6X30	4							
6	1	22242-000170	RING, 17	1							
7	1	1W7209-73716	SNAP RING;S-32	1							
8	1	1W7207-13190	RUBBER,HOUSING	1							
9	1	1W7205-13540	CASE	1							
10	1	1W0107-09009	BOLT;M5X20	9							
11	1	1W7207-23250	COLLAR	1							
12	1	1W7209-73175	BOLT;M5X10	1							
13	1	1W7209-73183	BOLT;M6X18	1							
14	1	1W7201-13660	SHAFT,DRIVE	1							
15	1	1W7201-24860	PIPE COMPL	1							
16	2	1W7201-33390	METAL	6							
17	1	1W7202-03260	HANGER COMPL	1							
18	1	1W7209-73178	BOLT;M6X14	1							
19	1	1W7206-13420	HANDLE	1							
20	1	1W7206-23520	GRIP ASS'Y	1							
21	1	1W7200-63400	HOLDER ASS'Y,HANDLE	1							
22	2	1W7209-73184	BOLT;M6X26	2							
23	2	1W7209-73179	BOLT;M6X30	4							
24	2	1W7209-73717	BOLT;M8X45	1							
25	2	1W7207-13300	RUBBER	2							
26	1	1W7204-63460	DEFLECTOR	1							
27	1	1W7204-73180	PLATE	1							
28	1	1W7200-43501	DEFLECTOR ASSY	1							
29	2	1W7204-93060	CUTTER	1							
30	2	1W0107-09008	BOLT;M5X16	1							
31	1	1W7200-23950	CASE ASS'Y,GEAR	1							
32	2	1W7209-73663	BOLT;M6X8	1							
33	2	22252-000280	RING, 28	1							
34	2	22242-000150	RING, 15	1							
35	2	1W7209-73718	BALL BEARING;6902ZZ	1							
36	2	1W7209-73719	BALL BEARING;6902	1							
37	2	24101-060004	BEARING, BALL 6000	1							
38	2	24104-060024	BEARING, BALL 6002UU	1							
39	2	22252-000320	RING, 32	1							
40	2	1W7202-63680	CASE,GEAR	1							
41	2	1W7202-73840	GEAR ASSY	1							
42	2	1W7202-93390	GEAR SHAFT	1							
43	2	1W0107-09009	BOLT;M5X20	1							
44	2	1W7209-73175	BOLT;M5X10	1							
45	1	1W7203-33760	HOLDER	1							
46	1	1W7203-43890	COVER(B)	1							
47	1	1W7203-34020	HOLDER	1							
48	1	1W7203-43940	COVER,NUT	1							
49	1	1W7203-73151	NUT	1							
50	1	1W7208-53550	BAND,COMPL.,SHOULDER	1							
51	1	1W7209-83420	BAG,TOOL	1							

N144172

Fig.16. BRUSH CUTER (YBE575B)

16. BRUSH CUTER (YBE575B)



(A)=YBE575B-CE

(B)=

(C)=

(D)=

(E)=

(F)=

No.	Lev.	Parts No.	Description	Q'ty						I	R
				(A)	(B)	(C)	(D)	(E)	(F)		
52	1	28150-040000	WRENCH, BAR 4	1							
53	1	1W7209-83530	SPANNER, BOX, 13X19	1							
54	1	1W1991-13160	CLAMP	2							
55	1	1W1956-33040	GOGGLE	1							
56	1	1W1958-33590	SAW, 3 TOOTH	1							
57	1	1W1008-14600	INSTRUCTION MANUAL	1							
58	1	1W7209-13110	COVER, BLADE	1							
59	1	1W1250-34380	LEVER ASS'Y, THROTTLE	1							
60	2	1W1255-05390	WIRE, THROTTLE	1							
61	3	1W1255-05410	WIRE COMPL, THROTTLE	1							
62	3	1W1858-43150	HOSE	1							
63	3	1W1852-03390	SWITCH	1							
64	2	1W1253-23200	LEVER	1							
65	2	1W1253-23210	LEVER, STOP	1							
66	2	1W1982-13420	SPRING	1							
67	2	1W1858-43142	SCREW, 4X20	4							
68	2	1W1858-43143	SCREW, M5X30	2							
69	2	1W1858-43144	NUT, M5	2							
70	2	1W1858-43146	PLUG	1							

N144172

Parts No. Index

Parts No.	Fig. No.	Ref. No.	
1W0107-09006	1	47	
	3	35	
	5	49	
	7	45	
	9	60	
	11	60	
	13	59	
	15	57	
	1W0107-09008	1	19
		2	18
		3	25
		4	18
		5	21
		6	17
7		21	
8		53	
		60 A	
9		14	
10		32	
11		14	
12		32	
13		14	
14	53		
1W0107-09009		60 A	
	16	30	
	1	40	
	2	15	
		27 A	
	3	28	
	4	15	
		27 A	
	5	43	
	6	14	
		26 A	
	7	39	
	8	2	
		70	
9	56		
10	10		
	41 A		
11	56		
12	10		
	41 A		
13	56		
14	2		
	74		
15	16		
16	10		
	43		
1W0107-09010	1	14	

Parts No.	Fig. No.	Ref. No.			
1W0107-09010	3	16			
	5	54			
	7	50			
	9	39			
	11	39			
	13	40			
	15	41			
	1W0107-09011	5	15		
		7	15		
		9	7		
		11	7		
		13	7		
		15	9		
		1W0107-09013	3	51	
5			38		
1W0107-09014			1	51	
			3	59	
			1W0107-09015	1	69
				3	68
				5	37
				7	79
	9			80	
	11			80	
	1W0107-09016			1	66
				3	67
				5	64
				7	60
		1W0107-09017		5	70
				7	74
9				75	
11				75	
15			75		
1W0107-09018			1	23	
			9	20	
			11	20	
			13	20	
			15	22	
	1W0107-09033		1	38	
			3	17	
			1W0107-09040	5	48
				7	44
		9		50	
		11		50	
		13		49	
		15		52	
		1W0201-00005		9	57
11				57	
13				68	
15				58	
1W0201-00008				10	27 A

Parts No.	Fig. No.	Ref. No.					
1W0201-00008	12	27 A					
	1W0201-09107	1	30				
		5	24				
		7	24				
		1W0201-09118	3	34			
			1W0305-00512	1	12		
				3	9		
				5	12		
				7	12		
				9	6		
				11	6		
				13	6		
				15	8		
				1W0343-09031	1	2	
3					2		
5	2						
7	2						
9	17						
11	17						
13	17						
15	19						
1W0361-00009	2	23					
	4	23					
	1W0368-00004	11	47 C				
		1W0427-09006	5		7		
			7		7		
			9		10		
			11	10			
			13	10			
			15	12			
			1W0427-09007	3	7		
				1W0427-09008	1	7	
					1W0502-09070	1	11
							13 B
						3	10
						13 A	
5						10	
	11 B						
7	10						
	11 B						
1W0502-09077	9	4					
		5 B					
	11	4					
		5 B					
	13	4					
		6 B					
	15	4					
		7					
	1W0672-00115	13	67				
		1W0682-09128	9	69			

Parts No.	Fig. No.	Ref. No.									
1W0682-09128	11	69									
	15	69									
	1W0682-09150	5	81								
		7	71								
		9	70								
		11	70								
		15	70								
		1W0682-09174	9	73							
			11	73							
			15	73							
			1W0682-09176	5	93						
				7	84						
				1W0682-19001	13	66					
					1W1008-14090	2	38				
4						38					
6						38					
8	65										
10	54										
12	54										
14	65										
1W1008-14092	6					38 -1					
	1W1008-14600	16				57					
		1W1100-35072				3	8				
						1W1100-35082	3	12			
			1W1100-35101				1	9			
							1W1100-35111	1	13		
				1W1100-35150				5	8		
								8			
					1W1100-35160			5	11		
								1W1100-35170	7	11	
									1W1100-35210	9	2
											11
											13
											2
1W1100-35211										11	2 -1
	15									2	
	1W1100-35220	9								5	
		11				5					
		13	5								
		1W1100-35221	11			5 -1					
			15	5							
			1W1102-13421	3		49					
				1W1102-13522	1	43					
					1W1102-13540	5	44				
						7	40				
						1W1102-13580	9	13			
							13	13 A			
							1W1102-13600	11	13		
13								13			
1W1102-13601								11	13 -1		
	1W1102-13660							15	15		

Parts No. Index

Parts No.	Fig. No.	Ref. No.
1W1109-93361	3	50
1W1109-93380	1	44
1W1109-93410	5	45
	7	41
1W1109-93430	11	85
	13	69
1W1109-93440	15	81
1W1110-53010	15	82
1W1119-93030	15	83
1W1150-13090	1	3
1W1150-13100	3	3
1W1150-13280	5	3
	7	3
1W1150-13320	9	8
	13	8
1W1150-13330	11	8
	13	8 A
1W1150-13370	15	10
1W1151-13650	1	4
1W1151-13730	5	4
	7	4
1W1151-15680	3	4
1W1151-15700	11	9
	13	9
1W1151-15710	9	9
	13	9 A
1W1151-15720	15	11
1W1152-53390	3	1
1W1152-53430	1	1
1W1152-53440	5	1
	7	1
1W1152-53480	9	1
	11	1
	13	1
1W1152-53481	11	1 -1
	15	1
1W1153-23030	5	5
	7	5
	9	11
	11	11
	13	11
1W1153-23040	1	5
1W1153-23130	3	5
1W1153-23140	15	13
1W1250-33820	2	4
1W1250-33831	4	6
1W1250-33960	4	6 A
1W1250-33990	2	4 A
1W1250-34010	6	7 A
1W1250-34060	6	7

Parts No.	Fig. No.	Ref. No.
1W1250-34060	10	21
	12	21
1W1250-34080	14	67
1W1250-34100	8	67
1W1250-34380	16	59
1W1253-23200	16	64
1W1253-23210	16	65
1W1255-04470	2	5 A
1W1255-04500	2	5
1W1255-04511	4	7
1W1255-04530	4	7 A
1W1255-04540	6	8 A
1W1255-04590	13	47
1W1255-04630	5	88
	7	33
1W1255-04650	6	8
	10	22
	12	22
1W1255-04670	9	24
	11	24
1W1255-04710	14	68
1W1255-04770	8	68
1W1255-05390	16	60
1W1255-05410	16	61
1W1255-43090	5	86
	7	78
	9	79
	11	79
1W1256-83060	5	89
	7	34
	9	84
	11	84
	13	48
1W1256-83061	11	84 -1
1W1301-04000	1	58
1W1301-04031	3	75 A
1W1301-04220	5	56
	7	52
1W1301-04221	5	56 -1
1W1301-04310	9	41
	11	41
1W1301-04311	11	41 -1
1W1301-04320	13	42
1W1301-04460	15	43
1W1301-23250	1	62
	3	79
1W1301-23350	5	58
	7	54
	9	43
	11	43

Parts No.	Fig. No.	Ref. No.
1W1301-23350	15	45
1W1301-23360	13	43
1W1301-53170	1	59
1W1301-53200	3	76
1W1301-53210	5	57
	7	53
	9	42
	11	42
	15	44
1W1301-53230	13	45
1W1301-73230	11	47 U
1W1301-83210	11	47 F
1W1301-83240	11	47 N
1W1301-83250	11	47 Y
1W1301-83440	11	47 X
1W1301-83490	11	47 J
1W1301-93390	11	47 Q
1W1301-93400	11	47 R
1W1302-13460	11	47 K
1W1302-13470	11	47 S
1W1302-13500	11	47 D
1W1302-73430	11	47 E
1W1302-83135	1	63
	3	78
1W1302-83294	11	47 W
1W1302-83296	11	47 L
1W1302-83298	11	47 P
1W1302-83299	11	47 T
1W1302-83318	11	47 M
1W1302-83355	11	47 A
1W1302-83356	11	47 B
1W1302-83357	5	59
	7	55
	9	44
	11	44
	15	46
1W1302-83359	11	47 V
1W1302-83360	13	44
1W1303-03290	1	73
	3	74
	5	71
	7	67
	9	67
	11	67
	15	67
1W1303-43140	14	71
1W1305-13350	1	60
	3	81
1W1305-13360	1	61
	3	80

Parts No.	Fig. No.	Ref. No.
1W1305-13383	1	63 A
	3	77
1W1305-13409	5	60
	7	56
	9	45
	11	45
	15	47
1W1305-13410	5	61
	7	57
1W1305-13412	11	47 H
1W1305-13413	9	46
	11	46
	15	48
1W1305-13414	11	47 G
1W1309-83050	1	75
	3	73
1W1350-73050	13	50
1W1351-13000	13	51
1W1351-63020	13	53
1W1352-63010	13	52
1W1352-63290	1	67
	3	65
1W1352-63370	5	87
	7	80
	9	58
	11	58
1W1352-63380	5	65
	7	61
	9	51
	11	51
1W1352-63440	15	53
1W1353-23070	13	54
1W1354-03420	3	56
1W1354-03450	1	46
1W1354-03480	5	47
1W1354-03481	5	47 -1
1W1354-03520	7	43
1W1354-03560	9	62
	11	62
1W1354-03563	11	62 -1
1W1354-03570	13	62
1W1354-03710	15	61
1W1354-13611	3	58
1W1354-13670	1	50
1W1354-33390	3	60
1W1354-33490	1	48
1W1354-33560	5	50
	7	46
1W1354-33640	9	63
	11	63

Parts No. Index

Parts No.	Fig. No.	Ref. No.
1W1354-33640	13	61
	15	62
1W1357-13300	1	65
	3	64
1W1357-13372	5	63
	7	59
	9	49
	11	49
1W1357-13373	5	63 -1
	11	49 -1
	15	51
1W1357-13392	5	66
	7	63
	9	52
	11	52
1W1357-13393	5	66 -1
	11	52 -1
1W1357-13410	1	68
	3	66
1W1357-13520	15	54
1W1359-93242	1	55
	3	54
1W1359-93430	1	64
	3	82
	5	62
	7	58
	9	48
	11	48
	15	50
1W1359-93451	1	52
1W1359-93481	3	52
1W1359-93692	3	55
1W1359-93700	3	57
1W1359-93772	1	49
1W1359-93811	1	45
1W1359-93951	5	51
	7	47
1W1359-93962	5	55
	7	51
1W1359-93970	5	46
	7	42
1W1359-94030	9	36
	11	36
	13	37
1W1359-94040	9	40
	11	40
	15	42
1W1359-94050	9	61
	11	61
	13	60

Parts No.	Fig. No.	Ref. No.
1W1359-94070	13	41
1W1359-94290	15	38
1W1359-94300	15	60
1W1500-53251	3	29
1W1500-53291	1	21
1W1500-53320	5	39
	7	35
1W1500-53340	9	16
	11	16
	13	16
	15	18
1W1501-03351	5	23
	7	23
1W1501-03440	3	30
1W1501-03470	1	27
1W1501-03490	9	15
	11	15
	13	15
1W1501-03530	15	17
1W1502-65091	1	26
	3	33
	5	42
	7	38
	9	23
	11	23
	13	23
	15	25
1W1504-13033	1	25
	3	32
	5	41
	7	37
	9	22
	11	22
	13	22
	15	24
1W1551-03341	5	18
	7	18
1W1551-03451	3	21
1W1551-03461	1	16
1W1551-03480	9	29
	11	29
	13	31
	15	31
1W1551-03481	11	29 -1
	15	31
1W1551-63080	5	16 A
	7	16 A
	9	35
	11	35
	13	36
1W1551-63081	11	35 -1

Parts No.	Fig. No.	Ref. No.
1W1551-63081	15	37
1W1551-63090	3	19
1W1551-63110	1	15 A
1W1551-83140	11	32 A
1W1552-13050	1	17
	3	24
1W1552-13090	5	20
	7	20
1W1552-13140	9	31
	11	31
	13	33
1W1552-13141	11	31 -1
	15	33
1W1552-23050	3	23
	5	19
	7	19
	9	30
	11	30
	13	32
	15	32
1W1552-23061	1	18
1W1552-63210	3	22
	5	20 A
	7	20 A
1W1552-63270	1	18 A
1W1552-63280	9	32
	11	32
	13	34
	15	34
1W1552-63300	11	35 A
1W1553-43070	11	32 B
1W1553-53060	5	16
	7	16
1W1553-53080	3	18
1W1553-53090	1	15
1W1553-53100	9	34
	11	34
	13	35
1W1553-53101	11	34 -1
	15	36
1W1600-13800	14	69
1W1600-33183	3	71 A
1W1600-33200	5	74 A
	7	72 A
	11	65 A
1W1600-33210	5	74
	7	72
	9	65
	11	65
	15	64

Parts No.	Fig. No.	Ref. No.
1W1600-33220	1	76
	3	71
1W1600-33230	14	70
1W1600-43092	1	77
	3	72
1W1600-43120	5	91
	7	82
	9	72
	11	72
	15	72
1W1601-03250	5	69
	7	66
1W1601-03260	9	64
	11	64
1W1601-03340	15	63
1W1601-13211	3	70
1W1601-13240	1	70
1W1601-73030	1	77 A
	3	72 A
	5	75 A
	7	73 A
	9	81
	11	81
	15	65
1W1609-73050	15	85
1W1609-93100	5	75
	7	73
	9	66
	11	66
	15	66
1W1609-93110	14	72
1W1659-83070	1	80
	3	47
1W1659-83130	5	35
1W1700-33220	1	28
1W1700-33241	5	25
	9	25
	11	25
	13	26
	15	27
1W1700-33300	3	36
1W1700-33350	7	25
1W1703-33140	5	29
1W1703-33150	3	41
1W1703-33190	1	33
1W1751-03360	3	40
1W1751-03370	1	35
1W1751-14240	5	33
1W1751-14250	7	32
1W1751-14350	9	55

Parts No. Index

Parts No.	Fig. No.	Ref. No.
1W1751-14350	11	55
	13	55
1W1751-14351	11	55 -1
	15	56
1W1751-53500	1	56
1W1751-53530	5	77
1W1751-53531	5	77 -1
1W1751-53580	7	75
1W1751-53700	9	59
	11	59
1W1751-53720	13	58
1W1751-53750	3	61
1W1751-54040	15	59
1W1753-13120	5	84
	7	77
1W1753-13180	1	83
	3	84
1W1759-73371	5	76
	9	76
	11	76
1W1759-73390	15	76
1W1852-03390	16	63
1W1856-03050	3	44
1W1856-03280	1	42
1W1856-03340	13	24
1W1856-03350	13	25
1W1856-03420	15	26
1W1857-13010	3	85
1W1858-43137	13	65
1W1858-43142	16	67
1W1858-43143	16	68
1W1858-43144	16	69
1W1858-43146	16	70
1W1858-43150	16	62
1W1902-83510	9	77
	13	63
1W1902-83910	1	20
1W1902-83920	3	26
1W1902-83930	5	22
	7	22
1W1902-83990	11	77
	13	63 A
1W1902-85390	15	77
1W1903-33250	1	57
	3	83
	5	78
	7	76
	9	78
	11	78
	13	64

Parts No.	Fig. No.	Ref. No.
1W1903-33250	15	78
1W1904-63470	15	87
1W1952-43010	4	49
	6	46
	8	69
	12	56
	14	73
1W1956-33000	2	39
	4	39
	6	39
	8	64
	10	52
	12	52
	14	64
1W1956-33040	12	52 -1
	16	55
1W1958-33140	2	50
	4	50
1W1958-33150	6	37
	8	66
	10	53
	12	53
	14	66
1W1958-33590	16	56
1W1981-13560	5	94
	7	85
	9	74
	11	74
	15	74
1W1981-13580	1	36
1W1981-13620	1	72
1W1981-13641	3	46
1W1981-13701	3	69
1W1981-13730	5	80
	7	69
	11	71 -1
	15	71
1W1981-13740	1	71
1W1981-13810	5	34
1W1981-13850	9	71
	11	71
1W1981-13870	5	61 A
	7	57 A
1W1981-13900	9	47
	11	47
	15	49
1W1981-63080	5	73
	7	70
1W1981-63110	1	82
	3	63

Parts No.	Fig. No.	Ref. No.
1W1982-13300	1	24
	3	31
	5	40
	7	36
	9	21
	11	21
	13	21
	15	23
1W1982-13420	16	66
1W1983-43040	5	6
	7	6
	9	12
	11	12
	13	12
	15	14
1W1983-43060	5	92
	7	83
	9	82
	11	82
	15	79
1W1983-43181	1	74
	3	75
	5	72
	7	68
	9	68
	11	68
	15	68
1W1983-43210	1	6
	3	6
1W1983-43230	1	39
	3	48
1W1984-83100	5	95
	7	86
	9	83
	11	83
	15	80
1W1987-33070	13	46
1W1991-13060	1	37
	3	45
	13	57
	15	84
1W1991-13150	6	35
1W1991-13160	10	51
	12	51
	16	54
1W1991-13170	8	26
	14	26
1W1992-13071	5	26
	7	26
	9	26

Parts No.	Fig. No.	Ref. No.
1W1992-13071	11	26
	13	27
	15	28
1W1992-13090	3	37
1W1992-13150	1	29
1W1992-13180	5	27
	9	27
	11	27
	13	28
	15	29
1W1992-13221	1	31
	3	38
1W1992-33440	7	27
1W1992-33450	7	29
1W1992-33490	15	86
1W1992-63171	1	8
1W1992-83030	5	13
	7	13
1W1992-83040	5	14
	7	14
1W1992-83050	3	14
1W1992-83060	3	15
1W1994-33071	1	32
	3	39
1W1994-33082	5	28
	9	28
	11	28
	13	30
	15	30
1W1994-33090	5	67
	7	64
	9	53
	11	53
	15	55
1W1995-13290	3	53
1W1995-13451	1	22
	9	19
	11	19
	13	19
	15	21
1W1995-13470	1	53
1W1995-13492	5	96
1W1995-13520	9	37
	11	37
	15	39
1W1995-13550	5	52
	7	48
1W1995-13560	13	38
1W2981-11010	1	41
	3	43

Parts No. Index

Parts No.	Fig. No.	Ref. No.
1W2981-11010	5	79
1W4706-23520	2	46
1W7200-23940	6	18
	8	1
	14	1
1W7200-23950	10	33
	12	33
	16	31
1W7200-23990	2	19
	4	19
1W7200-33200	2	41
	4	40
1W7200-43500	2	16
	4	16
	6	15
	8	59
	10	30
	12	30
	14	59
1W7200-43501	6	15 -1
	12	30 -1
	16	28
1W7200-53730	2	9
	4	9
1W7200-53740	6	41
	8	39 A
	14	39
1W7200-53750	8	39
	14	39 A
1W7200-63260	2	47
	4	46
	6	10
1W7200-63320	10	23
	12	23
1W7200-63400	16	21
1W7201-13120	6	1
1W7201-13160	2	1
	4	1
1W7201-13370	8	24
1W7201-13460	10	14
	12	14
1W7201-13480	8	16
	14	16
1W7201-13490	14	24
1W7201-13660	16	14
1W7201-24370	2	2
	4	2
1W7201-24380	10	15
	12	15
1W7201-24390	6	2

Parts No.	Fig. No.	Ref. No.
1W7201-24400	8	17
	14	17
1W7201-24860	16	15
1W7201-33061	6	3
	8	18
	14	18
1W7201-33160	2	3
	4	3
1W7201-33300	10	16
	12	16
1W7201-33390	16	16
1W7201-63070	8	47
	14	47
1W7202-03073	6	4
1W7202-03082	2	6
	4	4
1W7202-03260	10	17
	12	17
	16	17
1W7202-23100	8	43
	14	43
1W7202-43030	2	12
	4	12
	6	43
	8	41
	14	41
1W7202-63670	6	26 B
1W7202-63680	12	41 C
	16	40
1W7202-73160	6	26 C
1W7202-73840	12	41 D
	16	41
1W7202-93370	6	26 D
1W7202-93390	12	41 E
	16	42
1W7203-33610	2	30
	4	30
	6	29
	8	13
	14	13
1W7203-33630	2	28
	4	28
	6	27
	8	11
	14	11
1W7203-33760	10	42
	12	42
	16	45
1W7203-33770	10	44
	12	44

Parts No.	Fig. No.	Ref. No.
1W7203-34020	12	44 -1
	16	47
1W7203-43670	2	29
	4	29
	6	28
	8	12
	10	43
	12	43
	14	12
1W7203-43770	2	42
	4	42
1W7203-43780	2	31
	4	31
	6	30
	8	14
	14	14
1W7203-43790	10	45
	12	45
1W7203-43810	8	22
	14	22
1W7203-43890	6	28 -1
	12	43 -1
	16	46
1W7203-43940	12	45 -1
	16	48
1W7203-73150	10	46
	12	46
1W7203-73151	12	46 -1
	16	49
1W7203-73220	6	31 -1
1W7203-83120	8	19
	14	19
1W7203-93050	2	43
	4	43
1W7204-23100	8	36
	14	36
1W7204-63400	2	13
	4	13
	6	12
	8	57
	10	28
	12	28
	14	57
1W7204-63460	16	26
1W7204-73180	2	14
	4	14
	6	13
	8	58
	10	29
	12	29

Parts No.	Fig. No.	Ref. No.
1W7204-73180	14	58
	16	27
1W7204-73300	8	44
	14	44
1W7204-73341	8	45
	14	45
1W7204-73590	8	54
1W7204-73700	8	52
1W7204-73710	8	51
1W7204-73720	14	51
1W7204-73730	14	52
1W7204-73740	14	54
1W7204-93050	2	17
	4	17
	6	16
	8	60
	10	31
	12	31
	14	60
1W7204-93060	6	16 -1
	12	31 -1
	16	29
1W7205-13530	10	4
	12	4
	16	4
1W7205-13540	10	9
	12	9
	16	9
1W7205-13560	8	33
	14	33
1W7205-23240	10	1
	12	1
1W7205-23260	8	29
	14	29
1W7205-23390	16	1
1W7206-13320	2	10
	4	10
	6	42
	8	40
	14	40
1W7206-13370	2	45
	4	12 A
	6	6
	10	19
	12	19
1W7206-13420	16	19
1W7206-23520	4	45
	6	9
	10	20
	12	20

Parts No. Index

Parts No.	Fig. No.	Ref. No.
1W7206-23520	16	20
1W7207-03030	8	50
	14	50
1W7207-13190	10	8
	12	8
	16	8
1W7207-13210	10	27
	12	27
1W7207-13300	16	25
1W7207-23240	2	8
	4	8
	6	45
	8	28
	14	28
1W7207-23250	10	11
	12	11
	16	11
1W7208-53430	8	55
	14	55
1W7208-53460	4	33 A
1W7208-53470	2	33
	4	33
	6	32 A
1W7208-53520	10	47
	12	47
1W7208-53521	6	32
1W7208-53550	6	32 -1
	12	47 -1
	16	50
1W7208-70070	8	42
1W7208-70100	14	42
1W7208-80100	8	23
1W7208-80110	14	23
1W7208-90120	8	25
1W7208-90130	14	25
1W7209-13052	2	40
	4	37
	6	40
	8	63
	10	55
	12	55
	14	63
1W7209-13053	6	40 -1
	12	55 -1
1W7209-13110	16	58
1W7209-73147	2	49
	4	48
1W7209-73159	2	25
	4	25
1W7209-73161	2	24

Parts No.	Fig. No.	Ref. No.
1W7209-73161	4	24
1W7209-73175	2	21
	4	21
	6	20
	8	3
		71
	10	12
		41 B
	12	12
		41 B
	14	3
		75
	16	12
		44
1W7209-73177	8	41 B
		56
	14	41 B
		56
1W7209-73178	2	7
	4	5
	6	5
	10	18
	12	18
	16	18
1W7209-73179	10	5
		25
	12	5
		25
	16	5
		23
1W7209-73183	2	11
	4	11
	6	44
	8	34
		41 A
	10	13
	12	13
	14	34
		41 A
	16	13
1W7209-73184	2	48
	4	47
	6	11
	10	24
	12	24
	16	22
1W7209-73208	2	44 A
	4	41
1W7209-73643	8	48
	14	48

Parts No.	Fig. No.	Ref. No.
1W7209-73663	2	20
	4	20
	6	19
	8	4
	10	34
	12	34
	14	4
	16	32
1W7209-73673	8	21
	14	21
1W7209-73691	8	46
	14	46
1W7209-73698	8	27
	14	27
1W7209-73714	2	44
	4	44
1W7209-73715	2	32
	4	32
	6	31
	8	15
	14	15
1W7209-73716	10	7
	12	7
	16	7
1W7209-73717	10	26
	12	26
	16	24
1W7209-73718	10	37
	12	37
	16	35
1W7209-73719	10	38
	12	38
	16	36
1W7209-73728	8	20
	14	20
1W7209-73729	8	35
	14	35
1W7209-83371	2	34
	4	34
	6	33
	8	61
	14	61
1W7209-83420	2	35
	4	35
	6	36
	10	48
	12	48
	16	51
1W7209-83530	10	50
	12	50

Parts No.	Fig. No.	Ref. No.
1W7209-83530	16	53
22137-050000	1	54
	3	27
	5	53
	7	49
	9	38
	11	38
	13	39
	15	40
22137-060000	8	38
	14	38
22242-000100	6	22
	8	6
	14	6
22242-000120	1	34
22242-000150	3	42
	5	32
	8	32
	10	36
	12	36
	14	32
	16	34
22242-000170	10	6
	12	6
	16	6
22252-000240	2	22
	4	22
22252-000260	6	21
	8	5
	14	5
22252-000280	2	27
	4	27
	6	26
	8	10
	10	35
	12	35
	14	10
	16	33
22252-000320	10	41
	12	41
	16	39
22252-000350	5	30
	8	30
	14	30
22252-000400	10	2
	12	2
	16	2
22252-000471	5	36
22272-000040	8	37
	14	37

Parts No. Index

Parts No.	Fig. No.	Ref. No.	
22272-000050	5	66 A	
	7	65	
	9	54	
	11	54	
	11	54	
24101-060004	3	11	
	6	24	
	8	8	
	10	39	
	12	39	
	14	8	
	16	37	
	16	37	
24101-062004	3	13	
24101-062014	1	10	
		13 A	
	5	9	
		11 A	
	7	9	
		11 A	
	24101-062024	9	3
			5 A
		11	3
			5 A
13		3	
24104-060014	15	6 A	
		3	
		6	
	2	26	
	4	26	
	6	25	
	8	9	
	14	9	
	24104-060024	10	40
		12	40
16		38	
16		38	
24107-060004	6	23	
	8	7	
	14	7	
24107-062024	5	31	
	8	31	
	14	31	
24107-062034	10	3	
	12	3	
	16	3	
	16	3	
26076-080302	7	28	
26367-060002	8	49	
	14	49	
26377-100002	9	18	
	11	18	
	13	18	
	13	18	
	15	20	

Parts No.	Fig. No.	Ref. No.
26797-080002	3	20
	5	17
	7	17
	9	33
	11	33
	13	29
	15	35
	15	35
28150-040000	2	36
	4	36
	6	34
	8	62
	10	49
	12	49
	14	62
	16	52

Parts No.	Fig. No.	Ref. No.
-----------	----------	----------

Parts No.	Fig. No.	Ref. No.
-----------	----------	----------